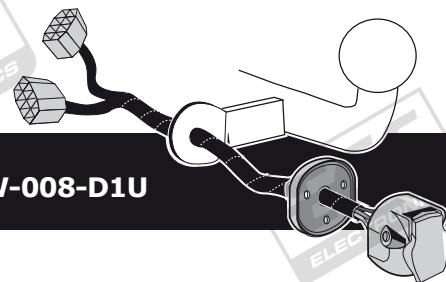




- **BMW 1 Series E81, E82, E87, E88**
- **BMW 1 Series F20, F21 (without PDC cut off function)**
- **BMW 3 Series E90, E91, E92, E93**
- **BMW 3 Series F30, F31, F34 (without PDC cut off function)**
- **BMW 5 Series E60, E61, F07, F10, F11** (for RHD see next page)
- **BMW 7 Series E65, E66, F01, F02**
- **BMW X1 Series E84**
- **BMW X3 Series F25 (without PDC cut off function)**
- **BMW X5 Series E70**
- **BMW X6 Series E71**

This kit doesn't cut off Park Assist , if applicable

Partnr.: BW-008-D1U



- Fitting instructions electric wiring kit tow bar with 13-P socket up to DIN/ISO Norm 11446.
- We would expressly point out that assembly not carried out properly by a competent installer will result in cancellation of any right to damage compensation, in particular those arising by virtue of the product liability act.
- Contents of these kits and their fitting manuals are subject to alteration without notice, please ensure that these instructions are read and fully understood before commencing installation.
- Do not overload circuits; the maximum loads per connection are detailed in this manual.
- Attention! Before Installation, please read this manual carefully and inform your customer to consult the vehicle owners manual to check for any vehicle modifications required before towing.
- In the event of functional problems, troubleshooting must be limited to about 0.5 hours, contact the technical support:
ukts@ecs-electronics.com



Right Hand Drive (RHD)

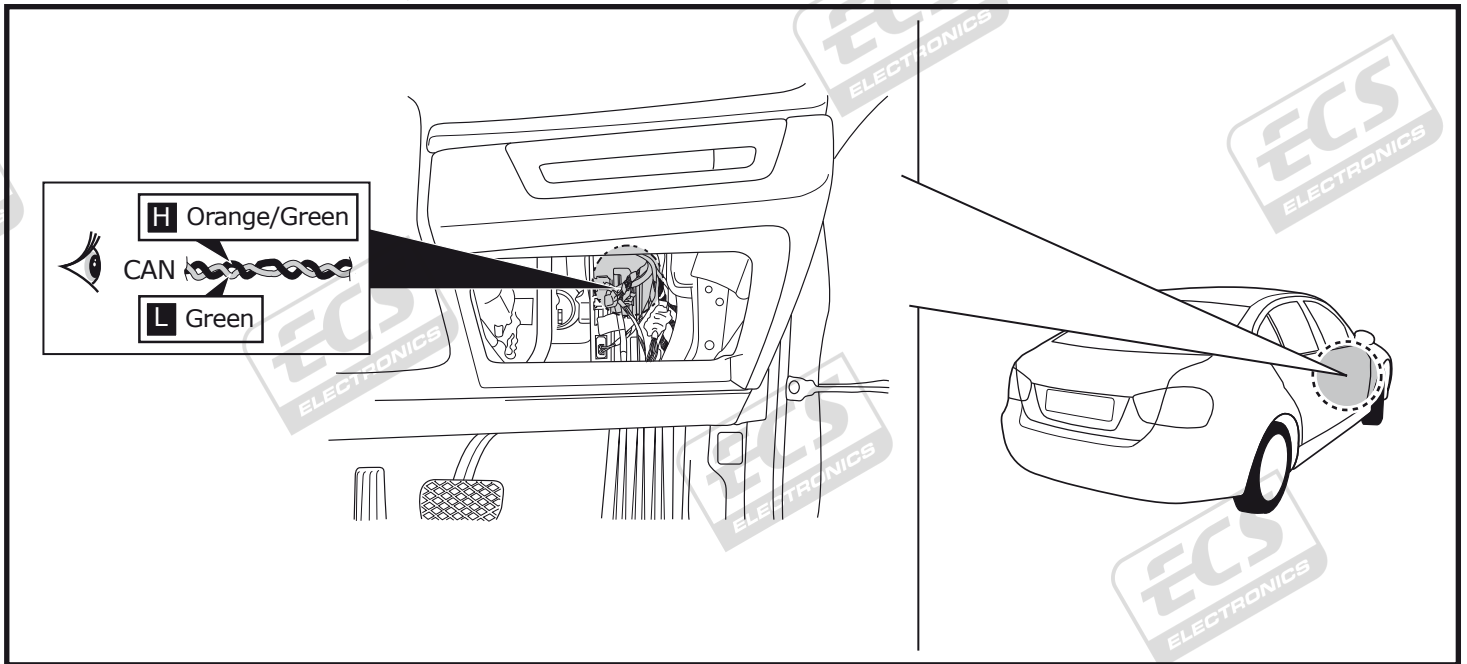
Installation Supplement Instructions

Updated: 06/06/2013

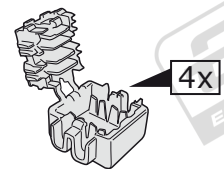
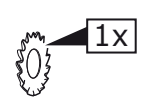
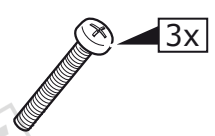
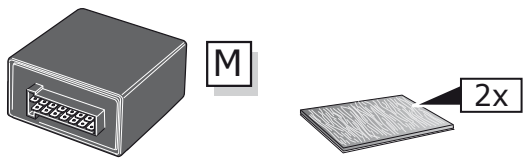
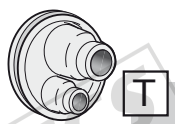
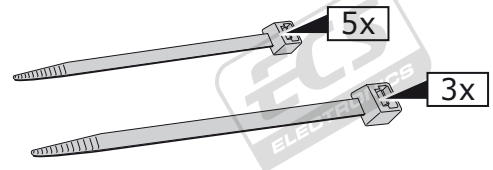
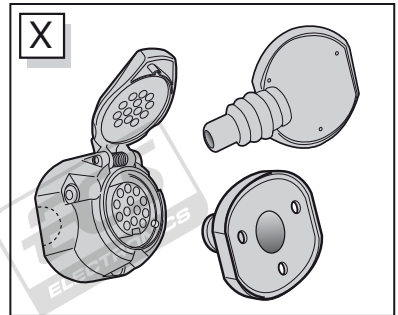
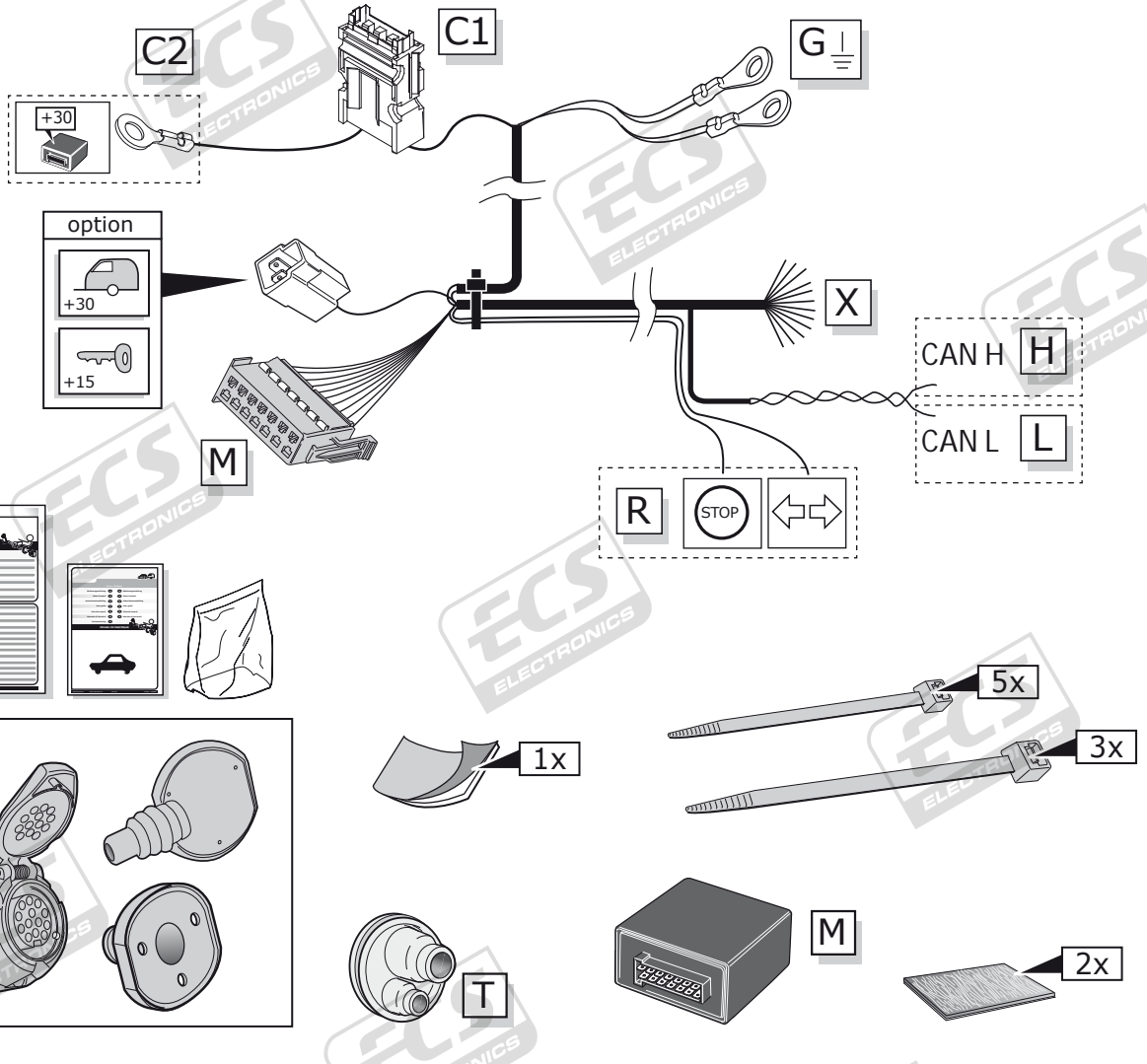
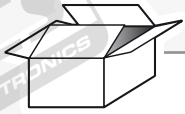
For RHD installation instruction please note the following:

For the BMW 5 (F10 and F11) series connect the CANbus on the off-side (Driver's side) of the dashboard.

Note: There are CAN wires on the passenger side behind the glove box but these do not carry the towbar roadlighting signals.



Part list



INFO

FIRST INQUIRE AT THE DEALER IF AN EXPANSION SET FOR A TOWING HOOK PLUS HEAT INSULATION (IN CONNECTION WITH COOLING) APPLIES TO YOUR VEHICLE.

INFO

BMW 5 Series F10, F11
BMW 7 Series F01, F02



Pag. 5

BMW X3 Series F25



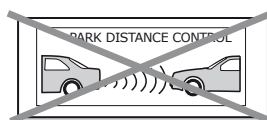
Pag. 8

BMW 1 Series E81, E82, E87, E88
BMW 3 Series E90, E91, E92, E93
BMW 5 Series E60, E61, F07
BMW 7 Series E65, E66
BMW X1 Series E84
BMW X5 Series E70
BMW X6 Series E71



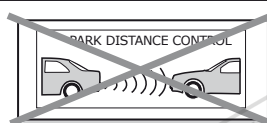
Pag. 11

BMW 5 Series E60, E61, F07
BMW 7 Series E65, E66
BMW X1 Series E84
BMW X5 Series E70
BMW X6 Series E71



Pag. 14

BMW 1 Series E81, E82, E87, E88
BMW 3 Series E90, E91, E92, E93



Pag. 17

BMW 1 Series F20, F21



Pag. 20

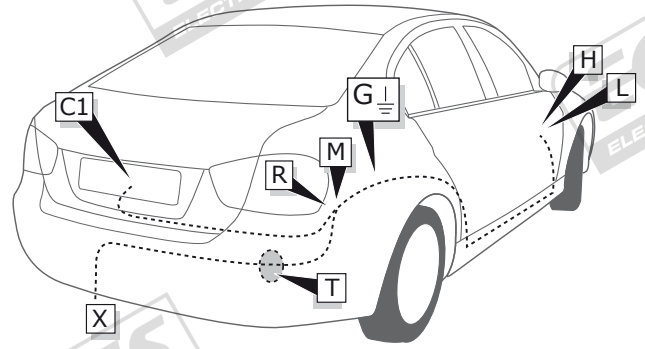
BMW 3 Series F30, F31, F34



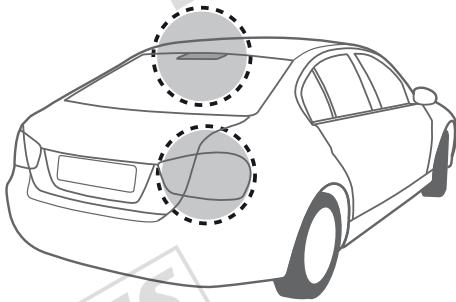
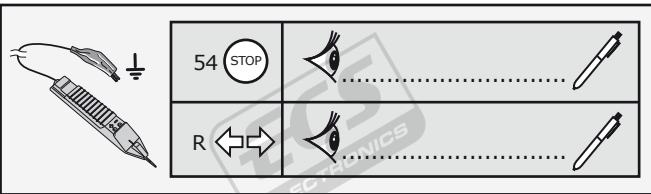
Pag. 23

BMW 5 Series F10, F11
BMW 7 Series F01, F02

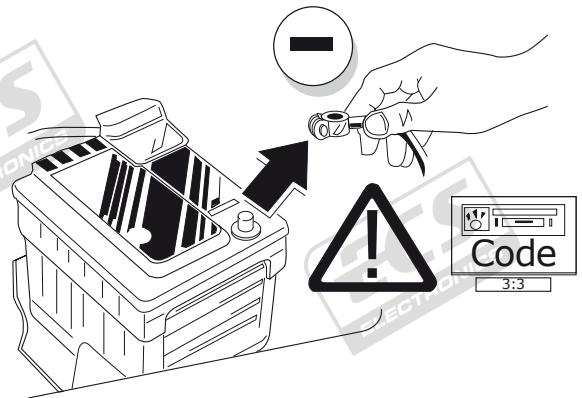
ROUTING



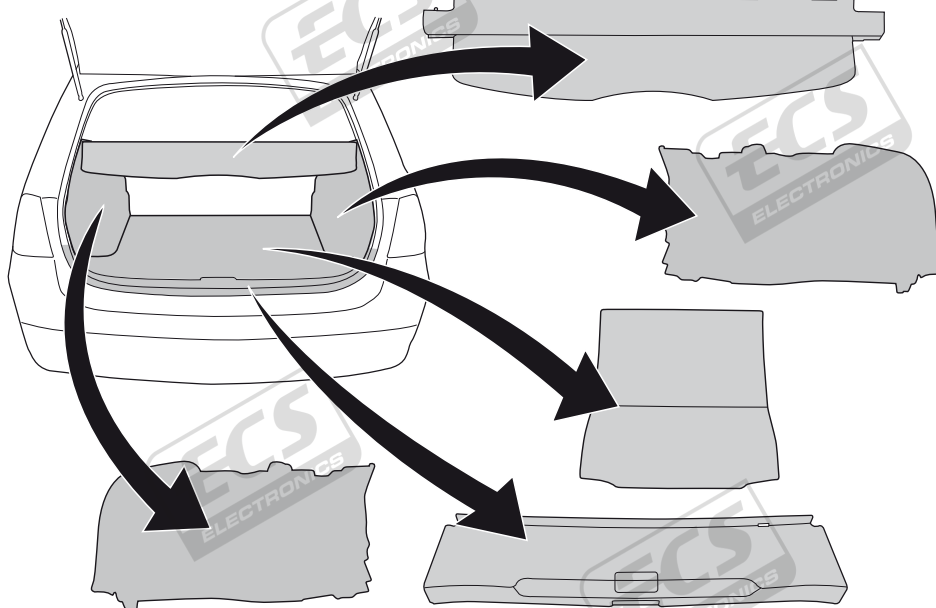
1

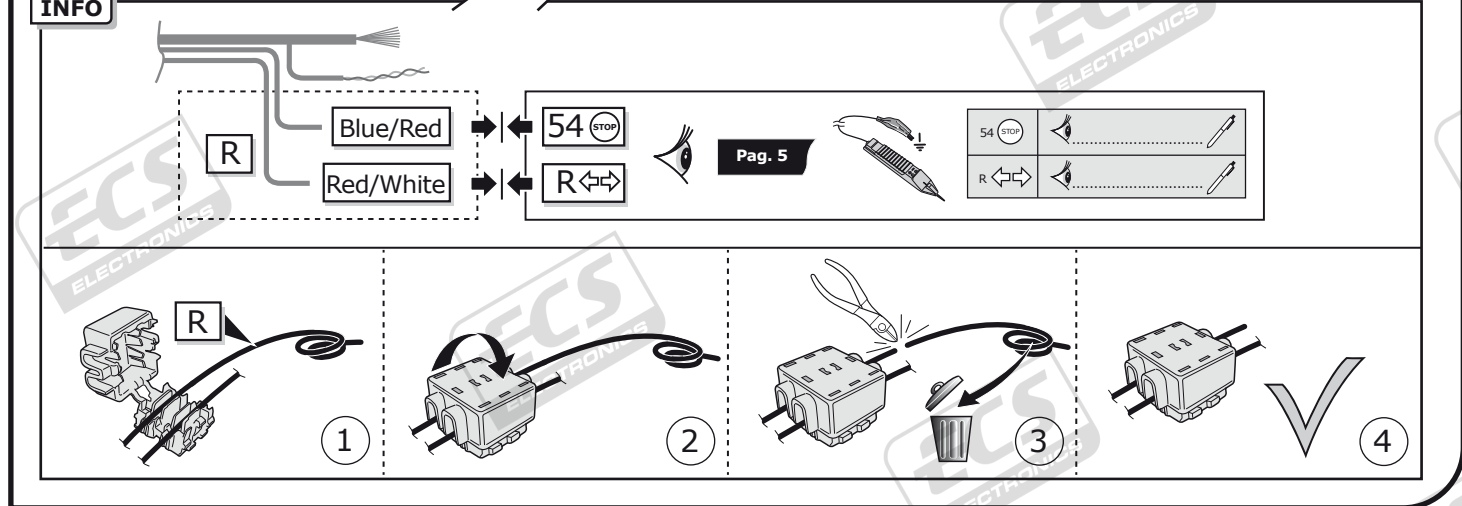
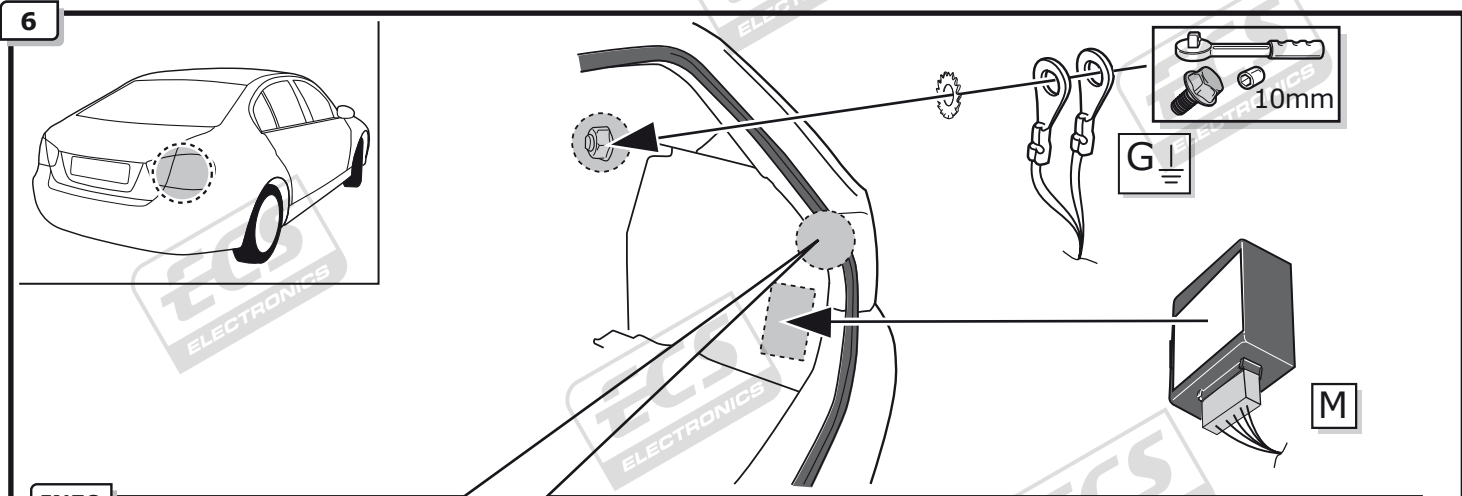
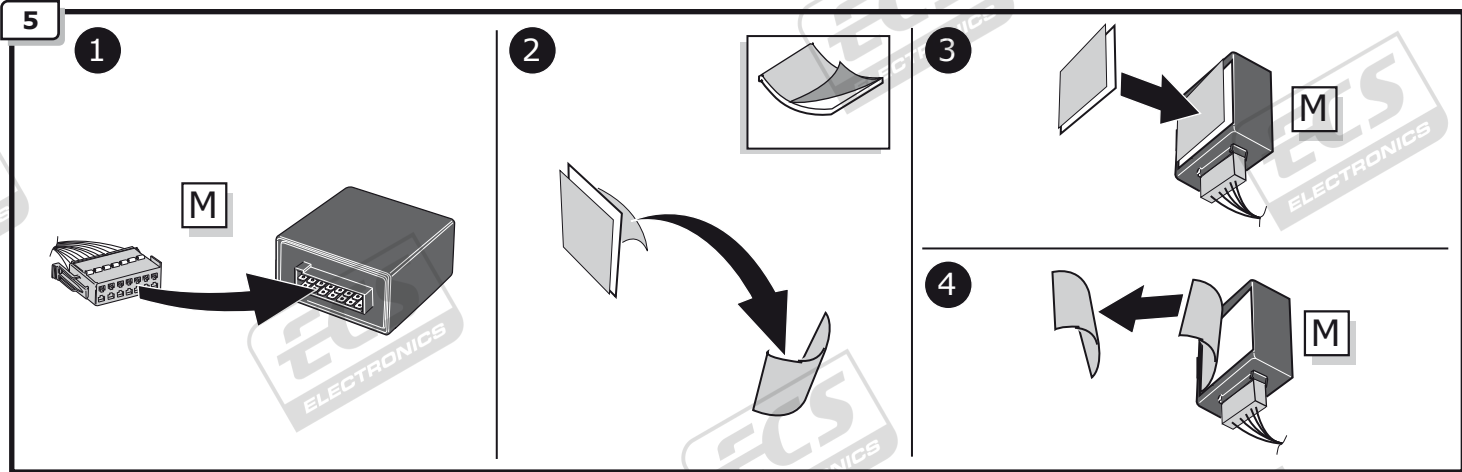
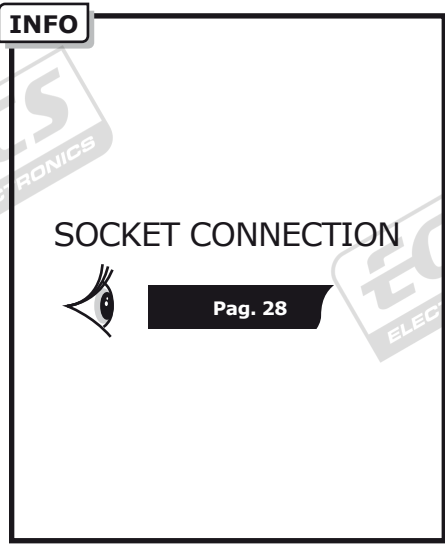
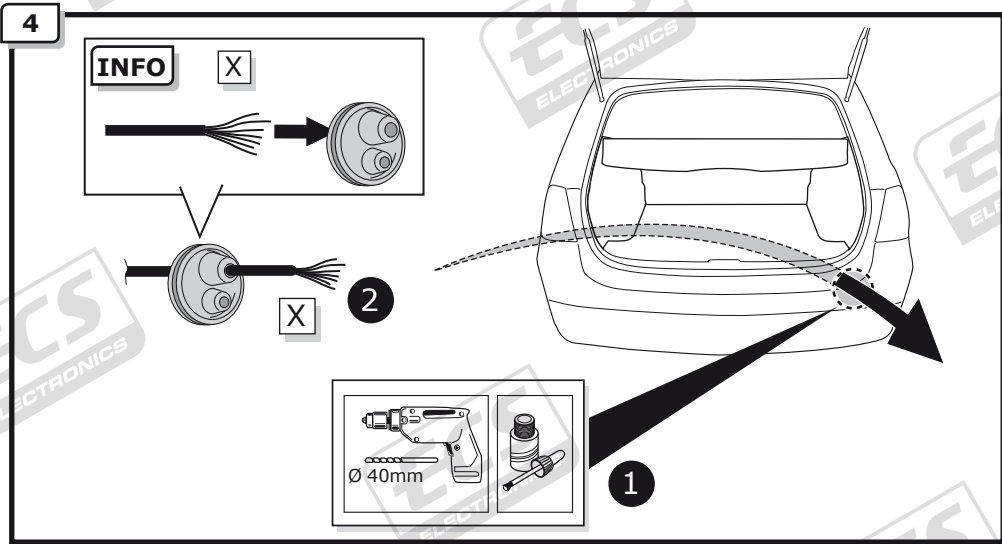


2

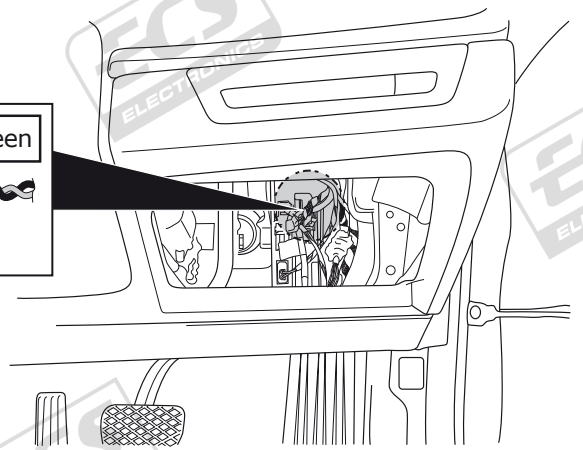
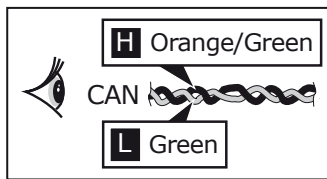
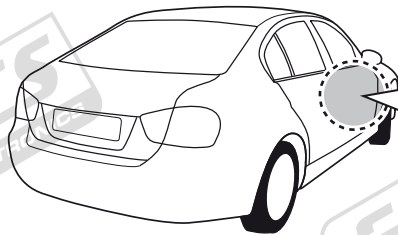


3

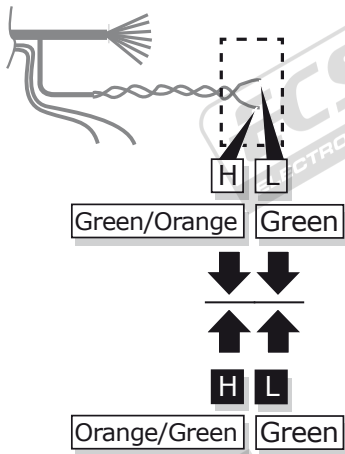




7



8



<p>INFO</p>		

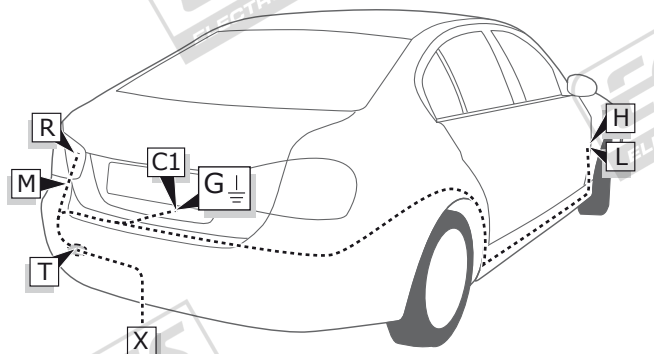
9



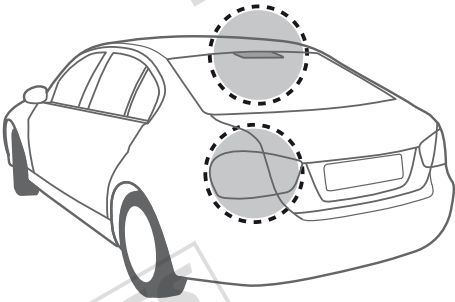
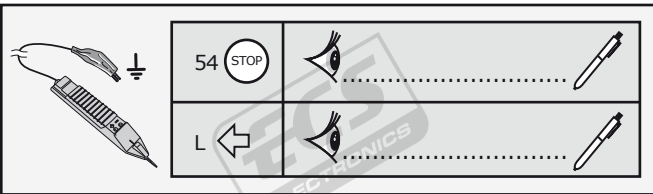
Pag. 26

BMW X3 Series F25

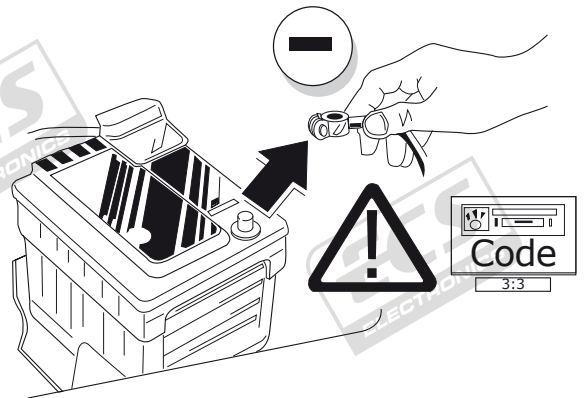
ROUTING



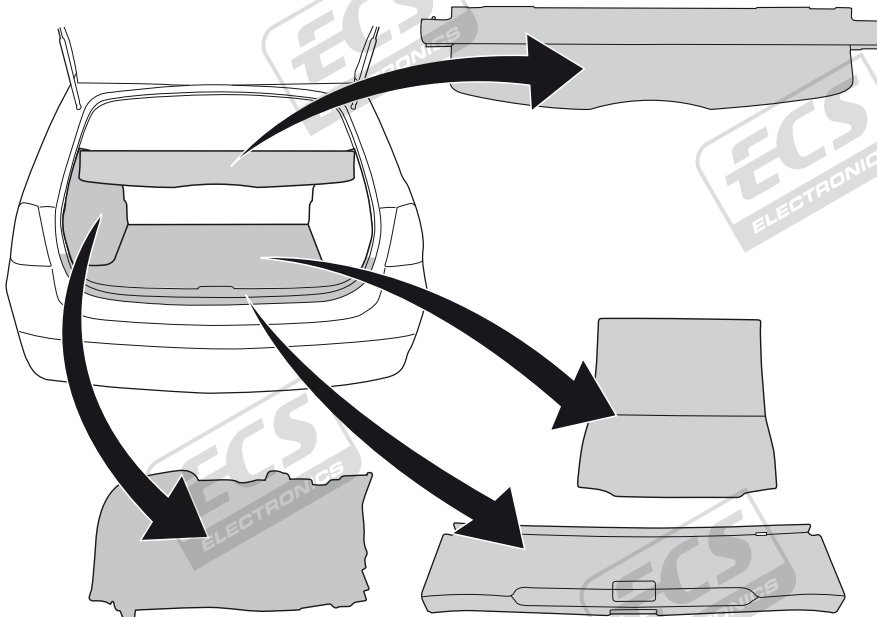
10



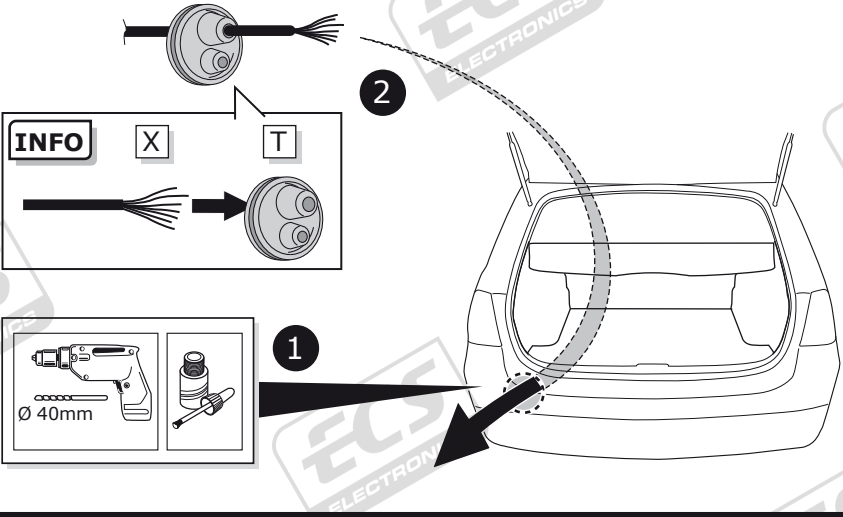
11



12



13



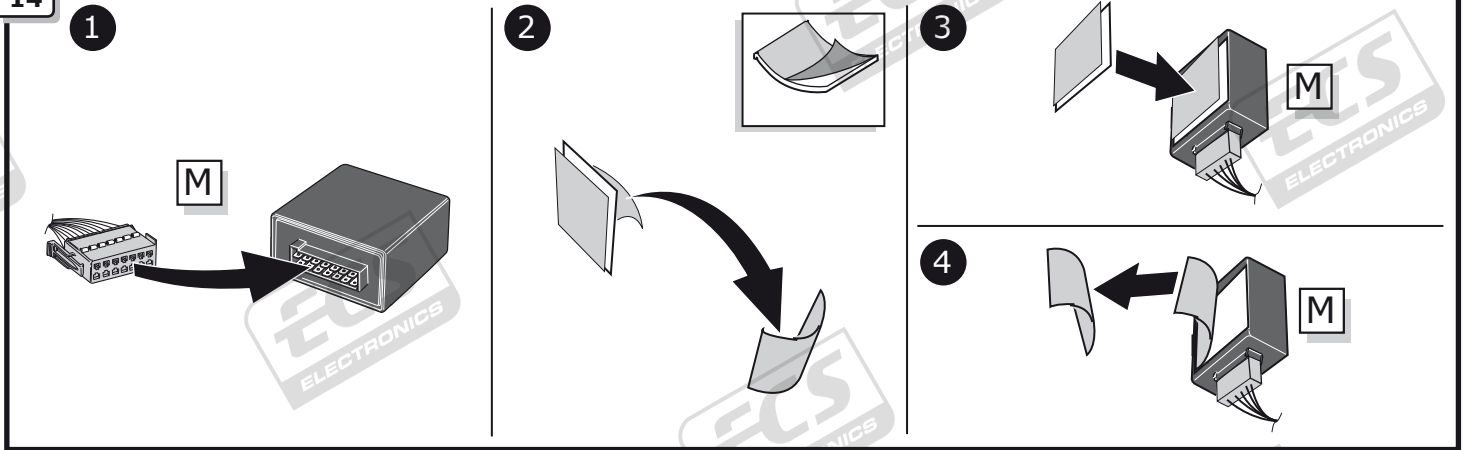
INFO

SOCKET CONNECTION

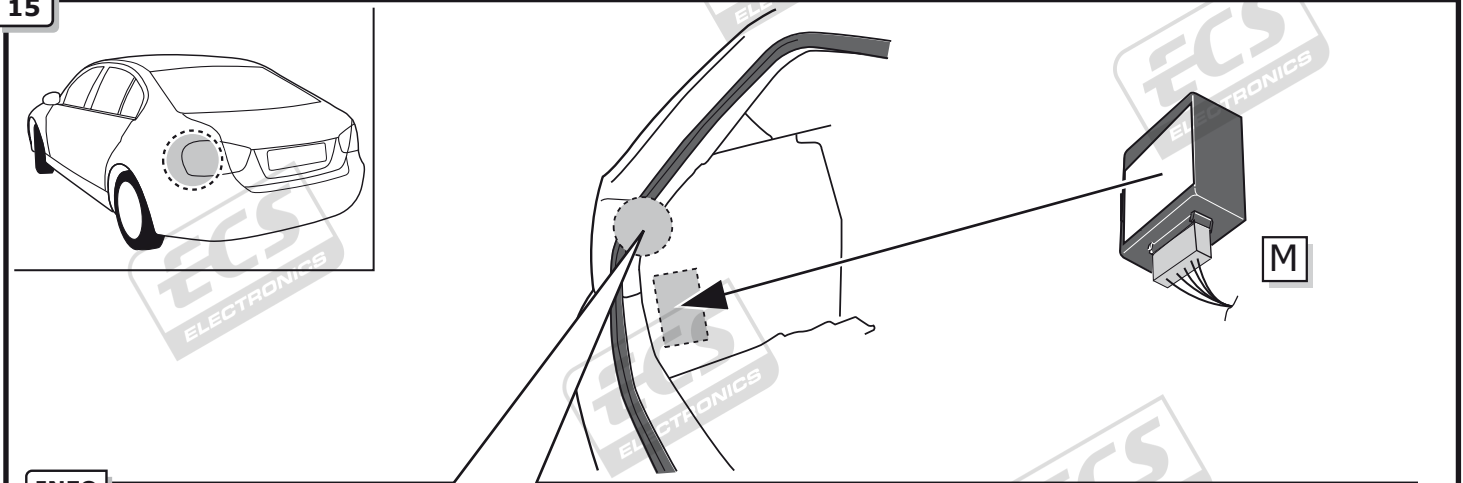


Pag. 28

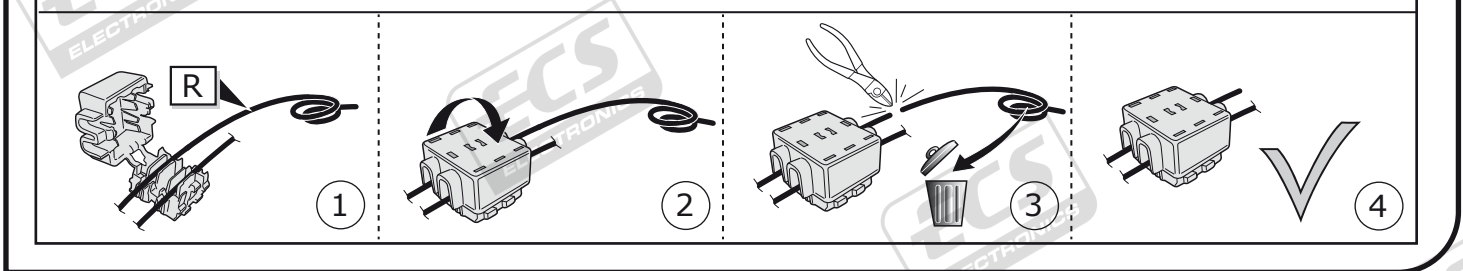
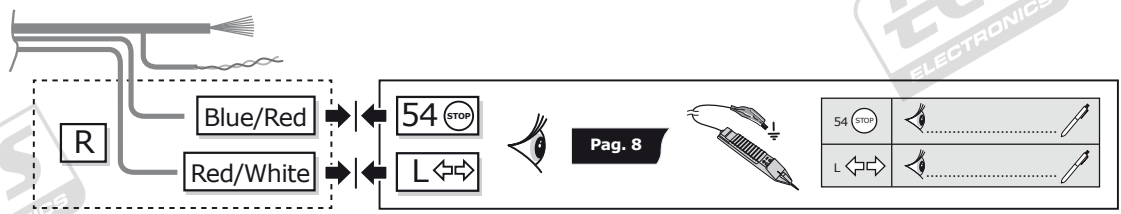
14



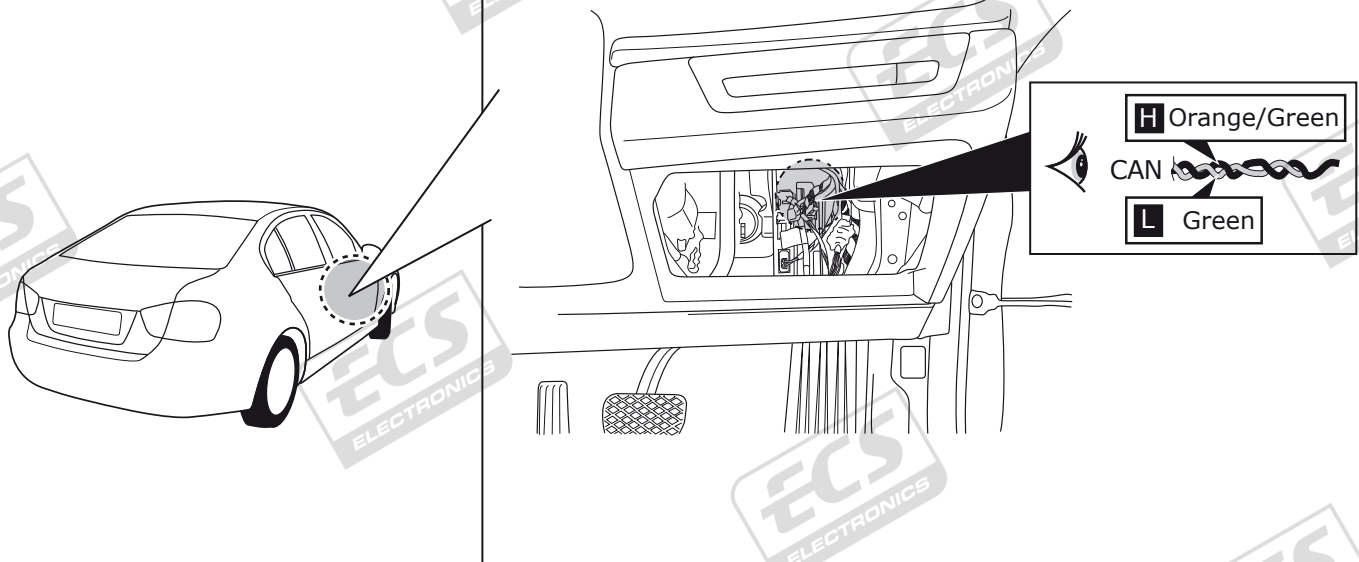
15



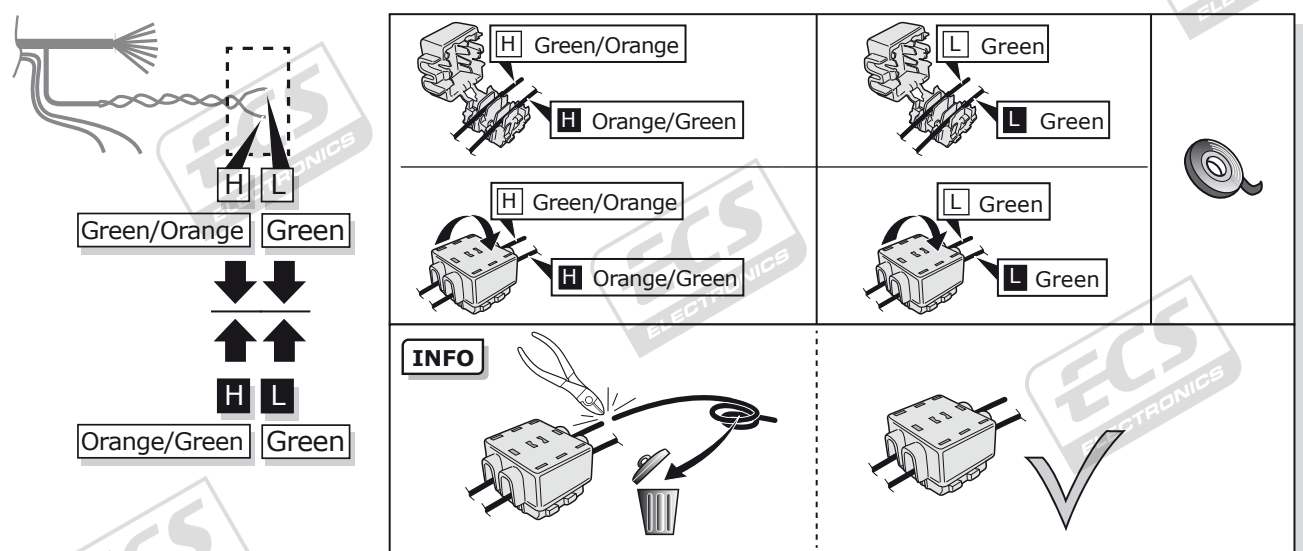
INFO



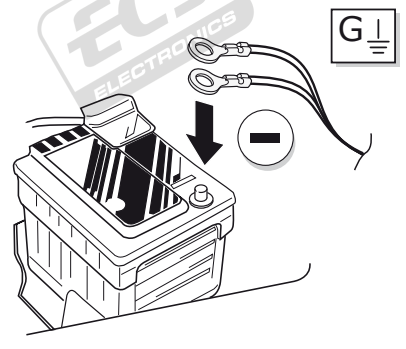
16



17



18

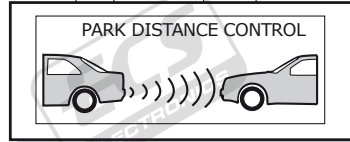
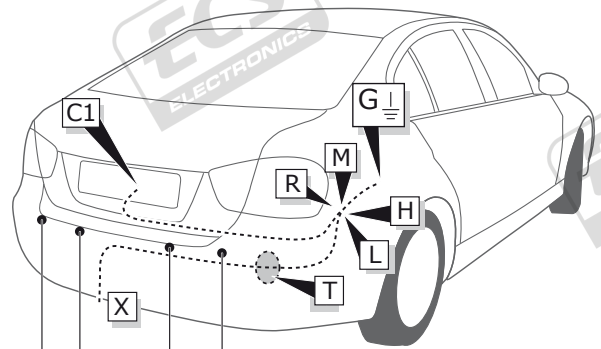


19

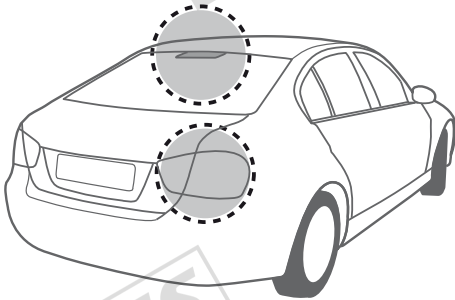
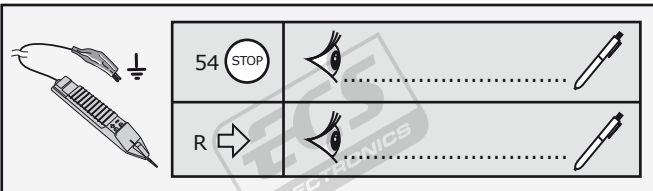


BMW 1 Series E81, E82, E87, E88
BMW 3 Series E90, E91, E92, E93
BMW 5 Series E60, E61, F07
BMW 7 Series E65, E66
BMW X1 Series E84
BMW X5 Series E70
BMW X6 Series E71

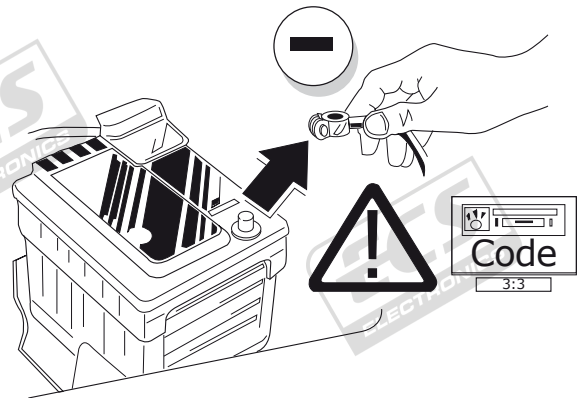
ROUTING



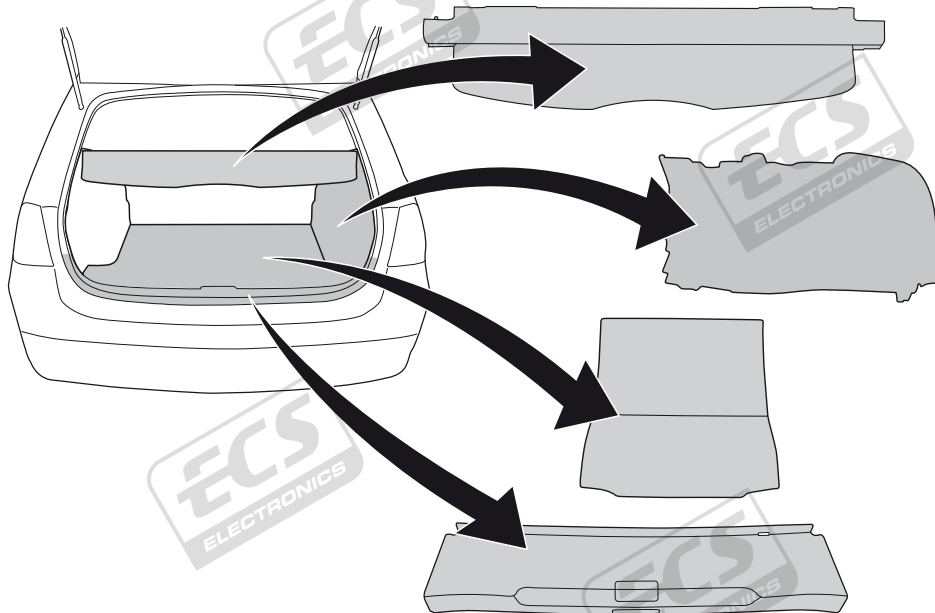
20



21



22



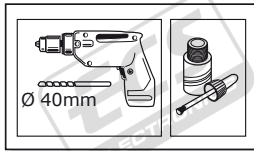
23

INFO

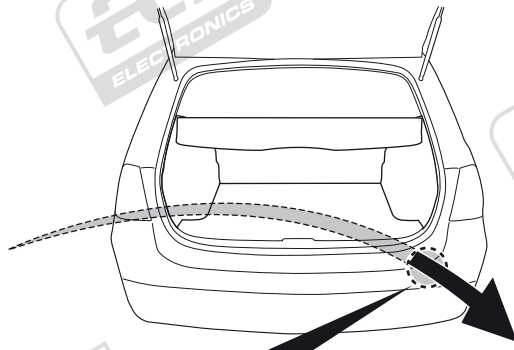
X



2



1



INFO

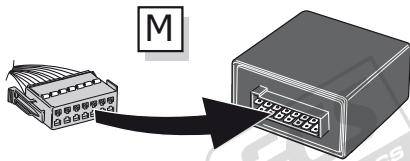
SOCKET CONNECTION



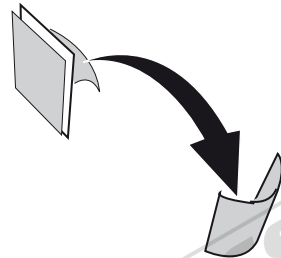
Pag. 28

24

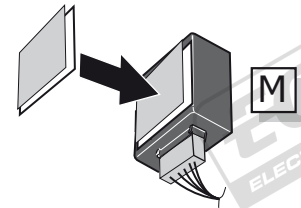
1



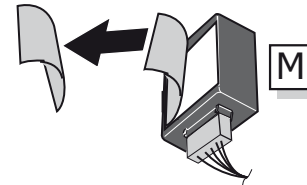
2



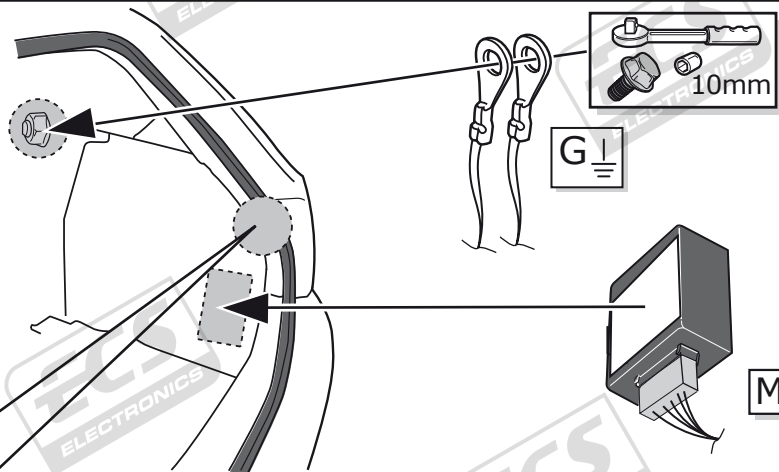
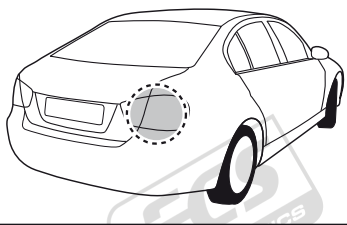
3



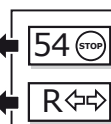
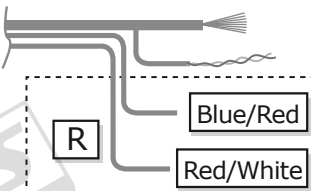
4



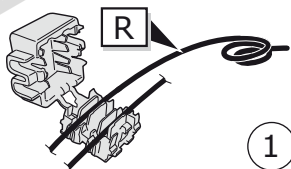
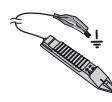
25



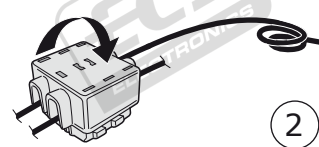
INFO



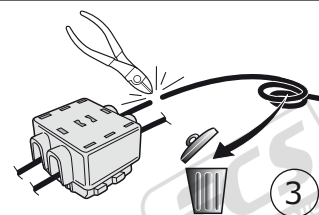
Pag. 11



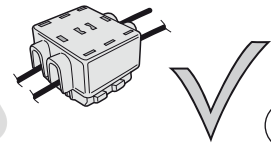
1



2



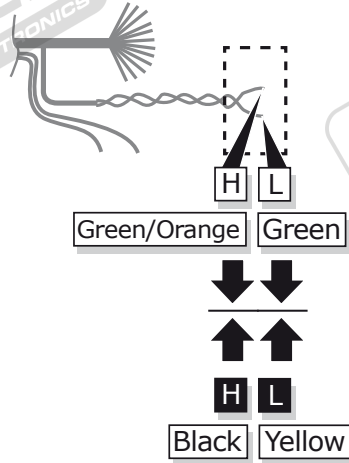
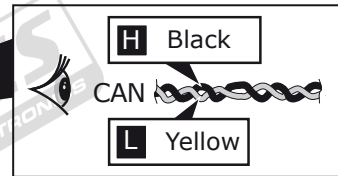
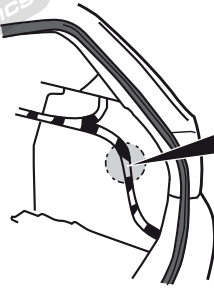
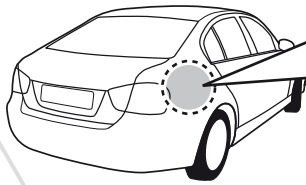
3



4

26

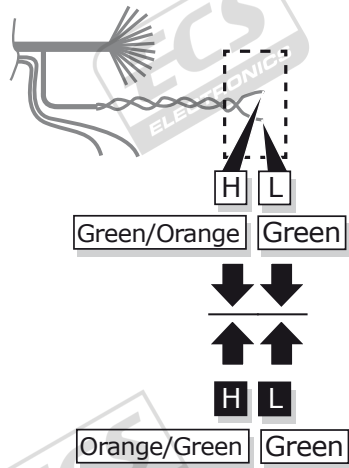
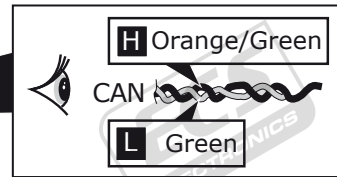
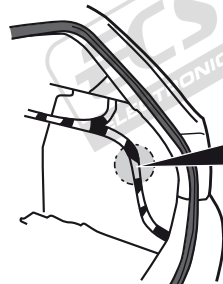
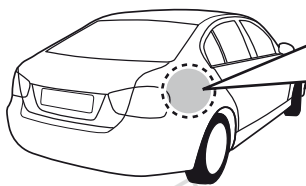
OPTION 1: E60 / E61



INFO		

27

OPTION 2: Other models



INFO		

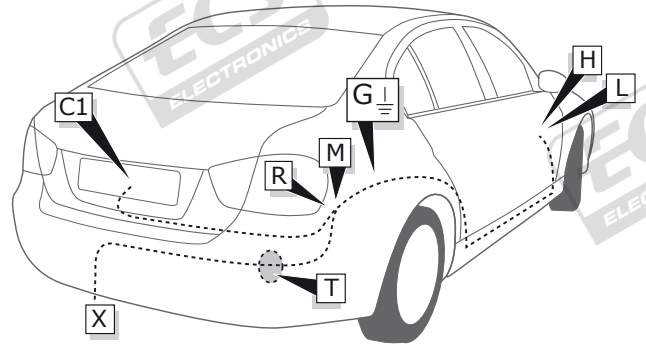
28



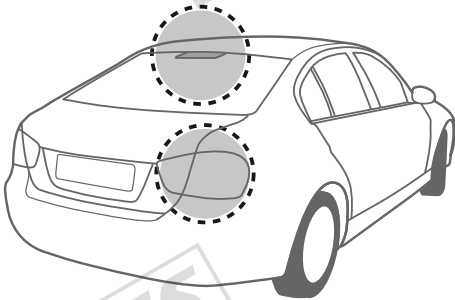
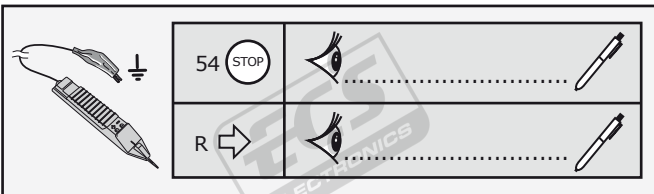
Pag. 26

BMW 5 Series E60, E61, F07
BMW 7 Series E65, E66
BMW X1 Series E84
BMW X5 Series E70
BMW X6 Series E71

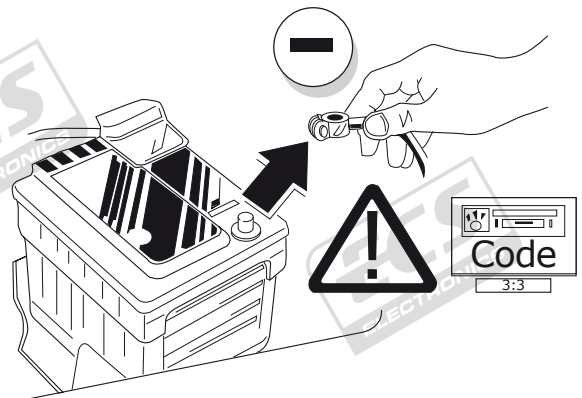
ROUTING



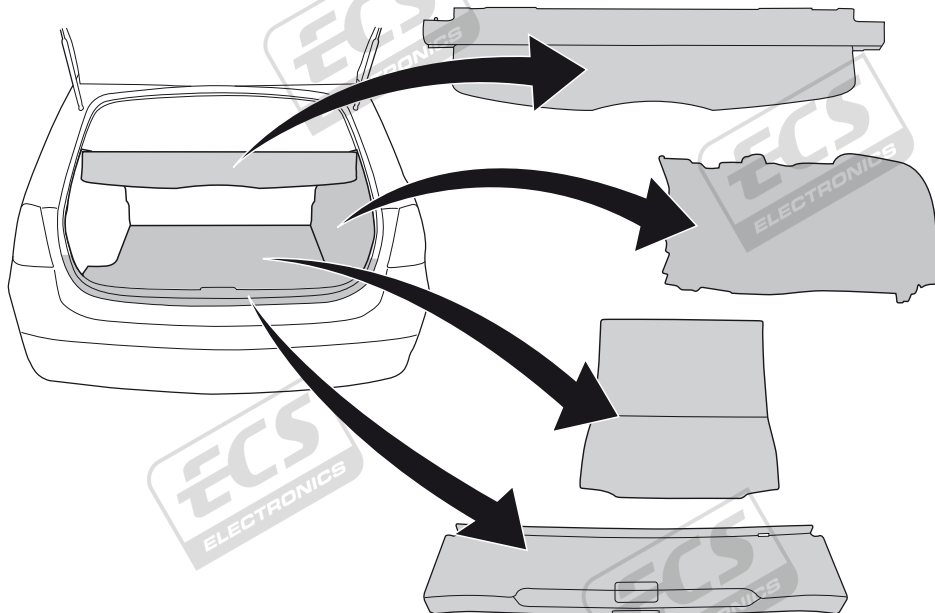
29



30



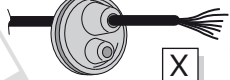
31



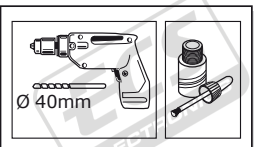
32

INFO

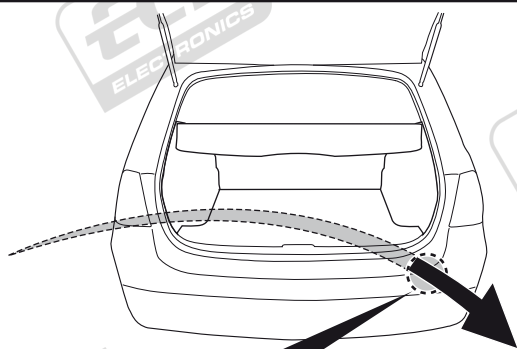
X



2



1



INFO

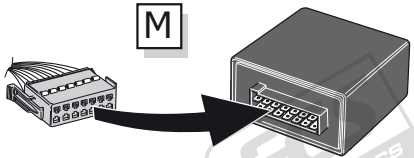
SOCKET CONNECTION



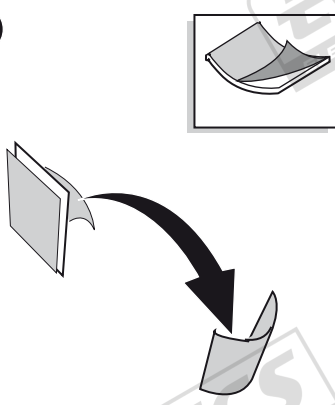
Pag. 28

33

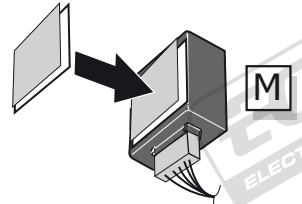
1



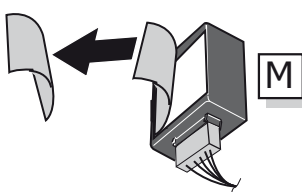
2



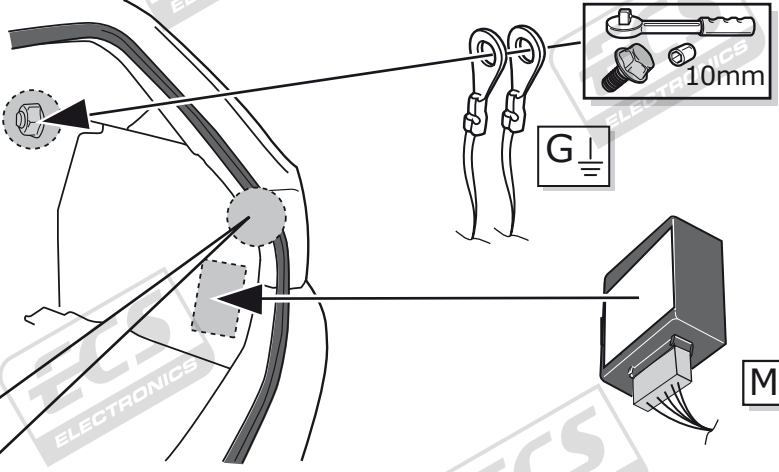
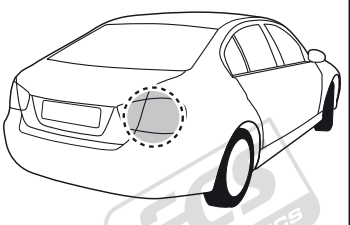
3



4



34



INFO

R

Blue/Red

Red/White

54 STOP

R ↔



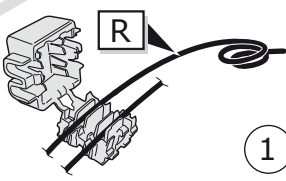
Pag. 14



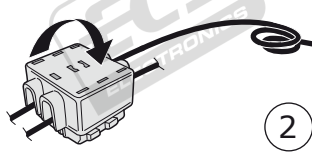
54 STOP

R ↔

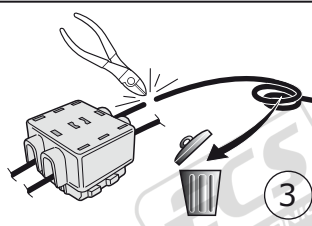
R ↔



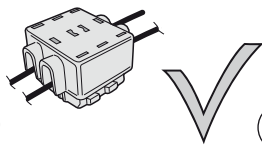
1



2



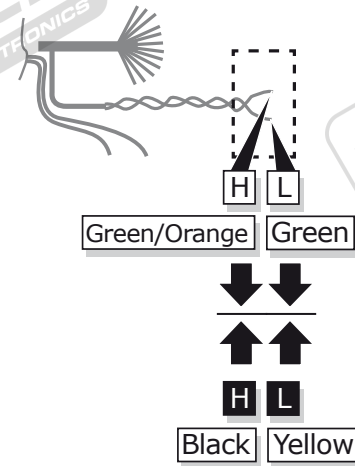
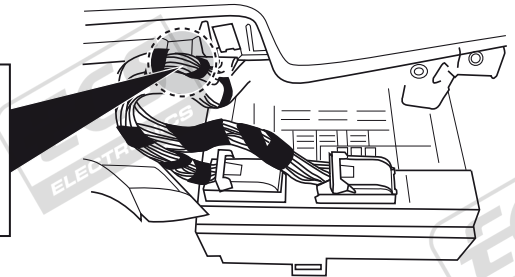
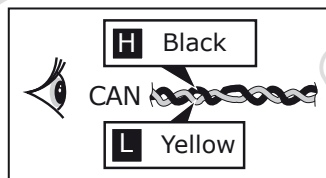
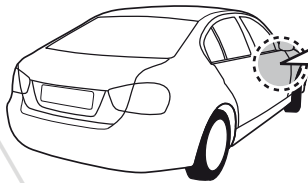
3



4

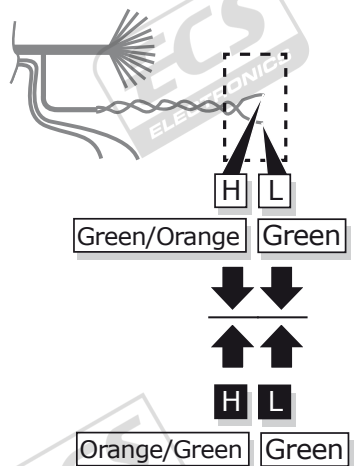
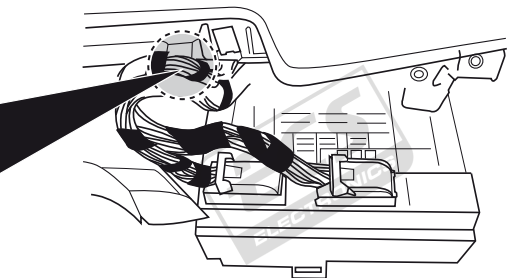
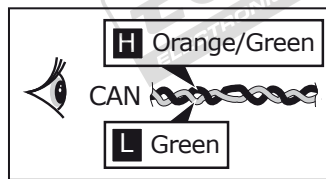
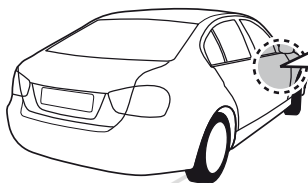
35

OPTION 1: E60 / E61



36

OPTION 2: Other models



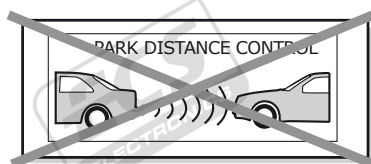
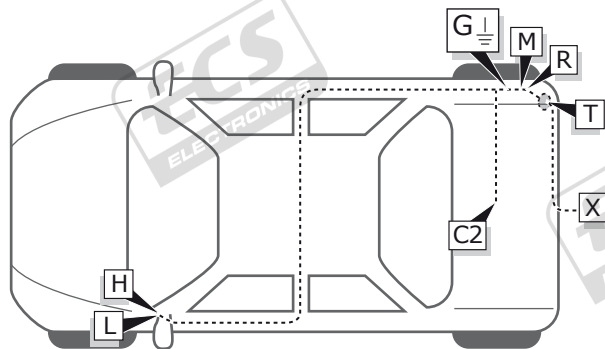
37



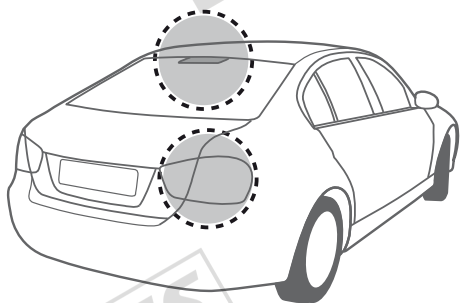
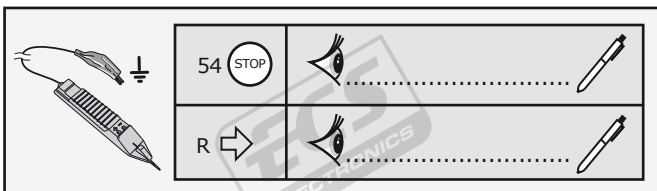
Pag. 26

BMW 1 Series E81, E82, E87, E88
BMW 3 Series E90, E91, E92, E93

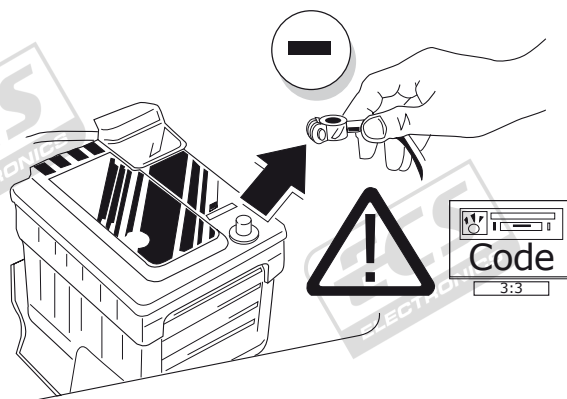
ROUTING



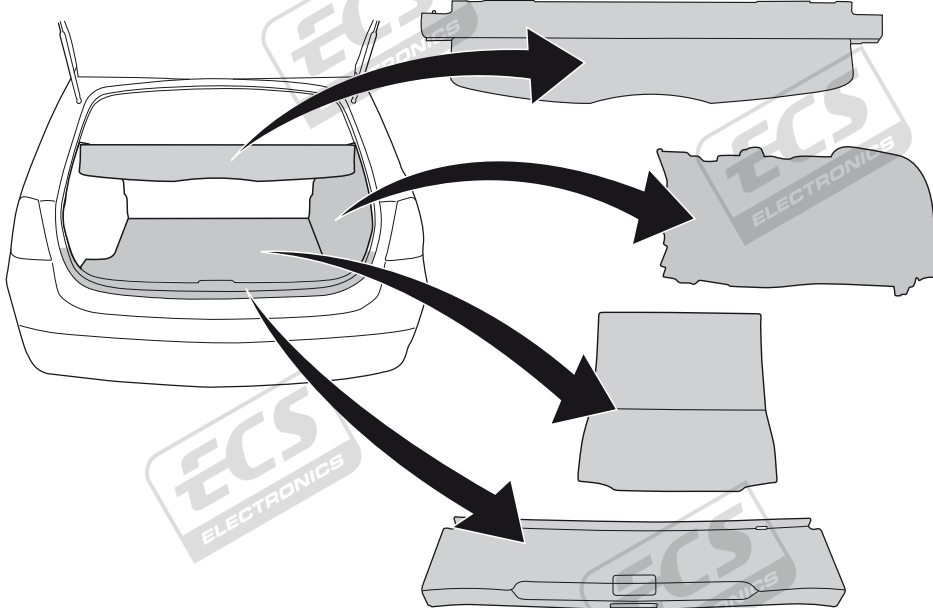
38



39



40



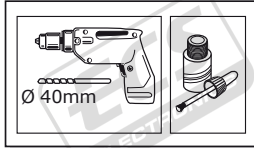
41

INFO

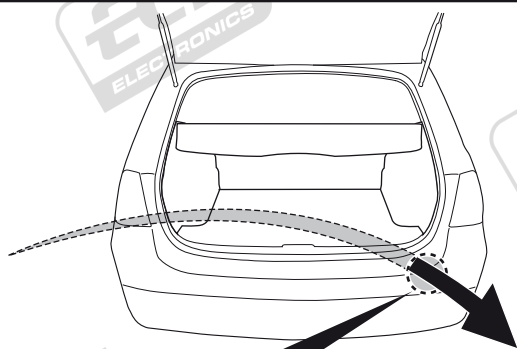
X



2



1



INFO

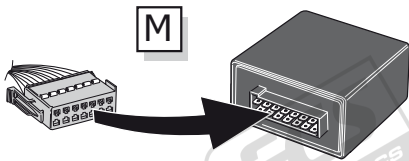
SOCKET CONNECTION



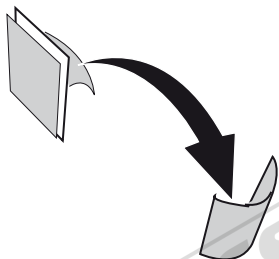
Pag. 28

42

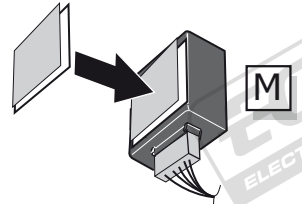
1



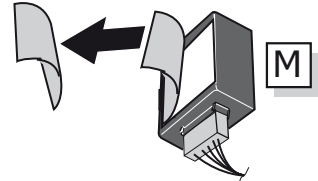
2



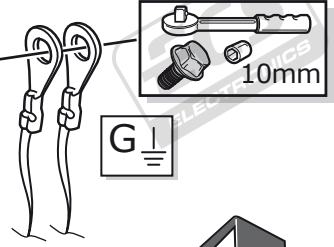
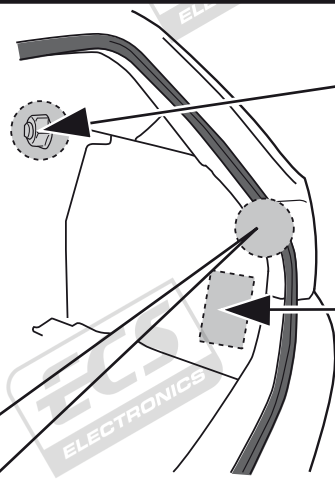
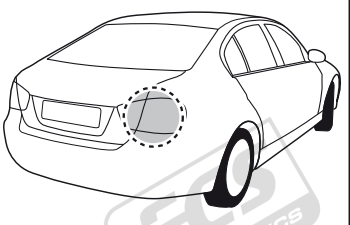
3



4



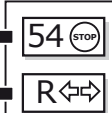
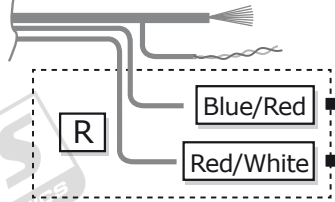
43



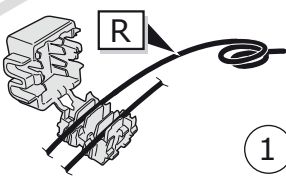
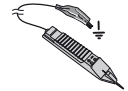
G I

M

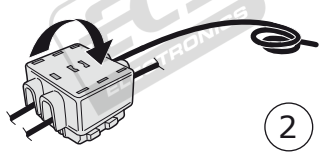
INFO



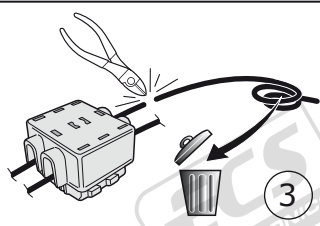
Pag. 17



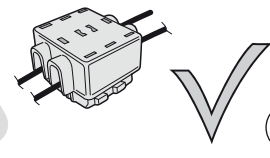
1



2

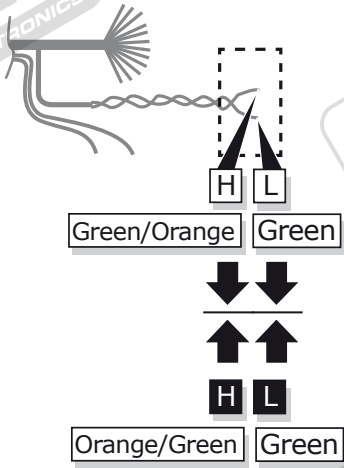
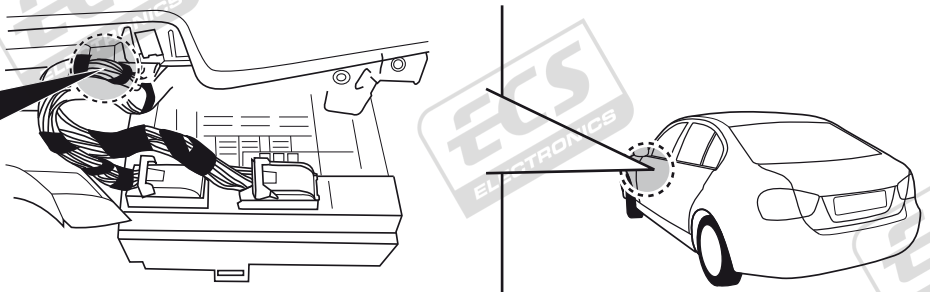
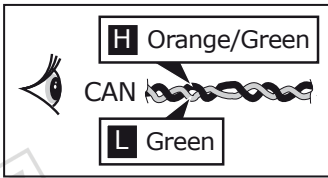


3



4

44



<p>H Green/Orange L Orange/Green</p>	<p>L Green L Green</p>	
<p>H Green/Orange L Green</p>	<p>L Green L Green</p>	
<p>INFO</p>		

45



Pag. 26

BMW 1 Series F20, F21

ROUTING

INFO



without PDC cut off function

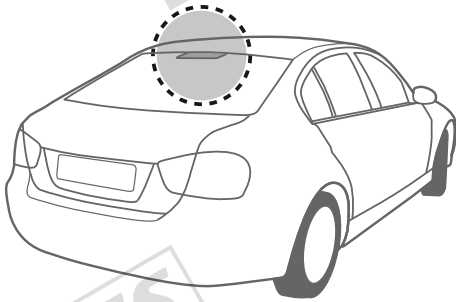
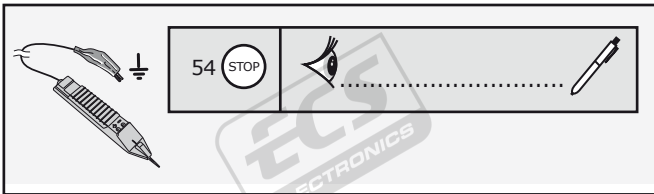
PARK DISTANCE CONTROL



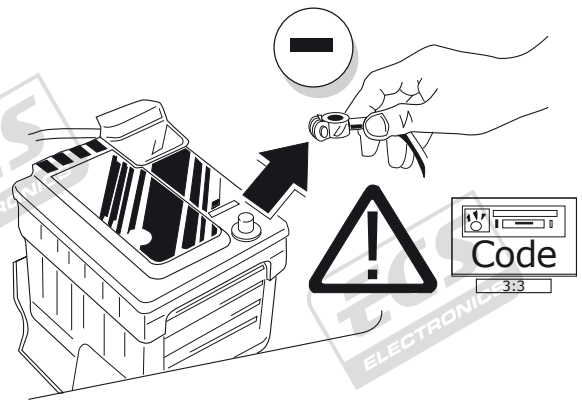
PARK DISTANCE CONTROL



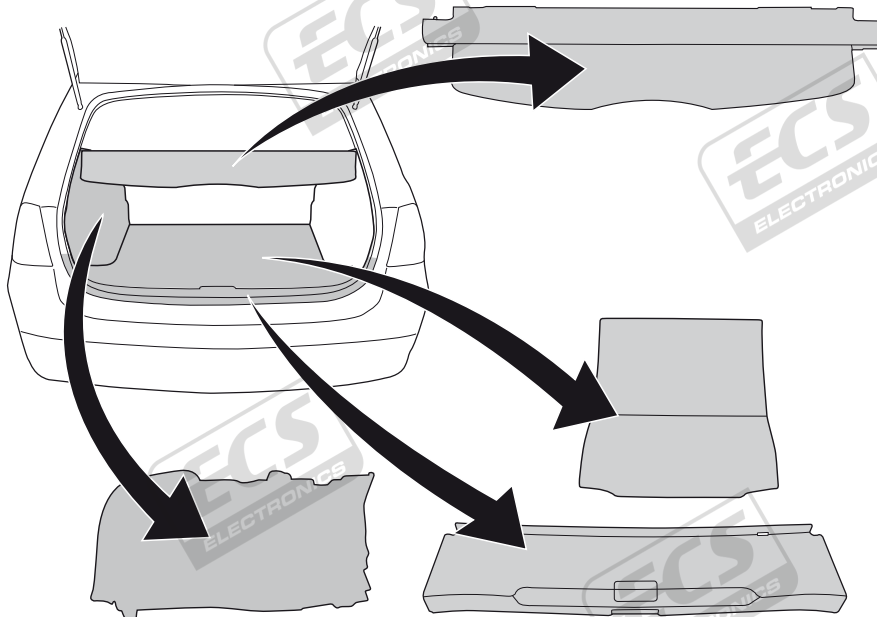
46



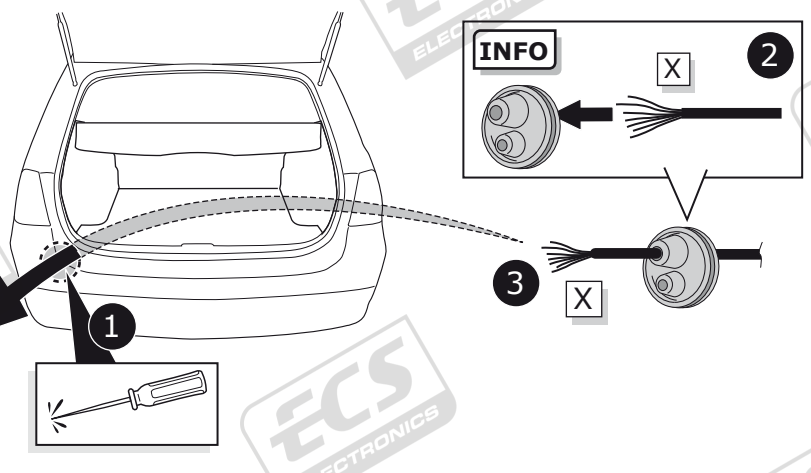
47



48



49

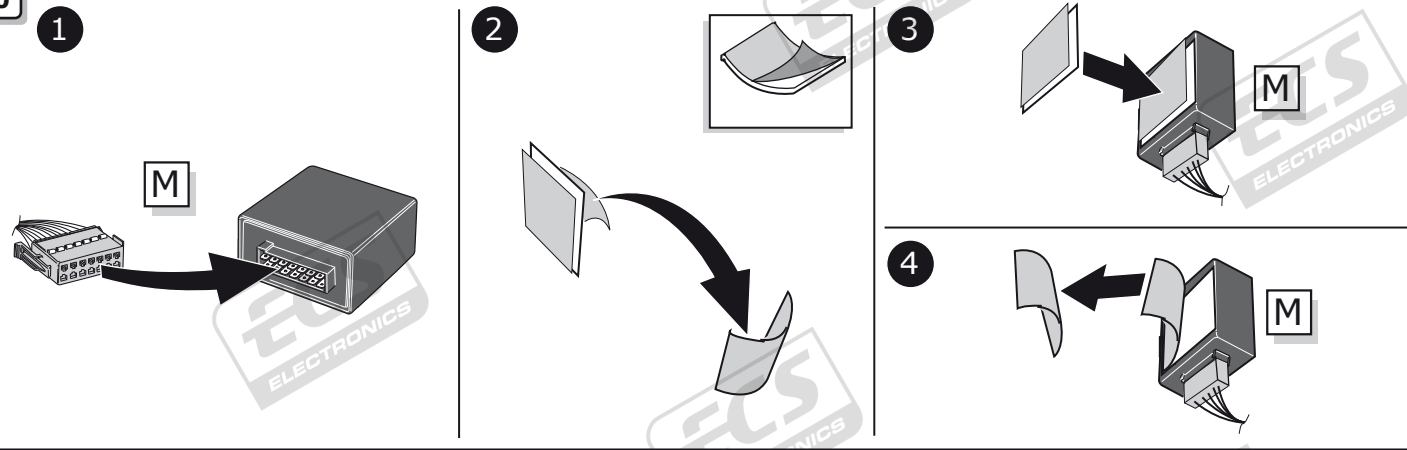


INFO

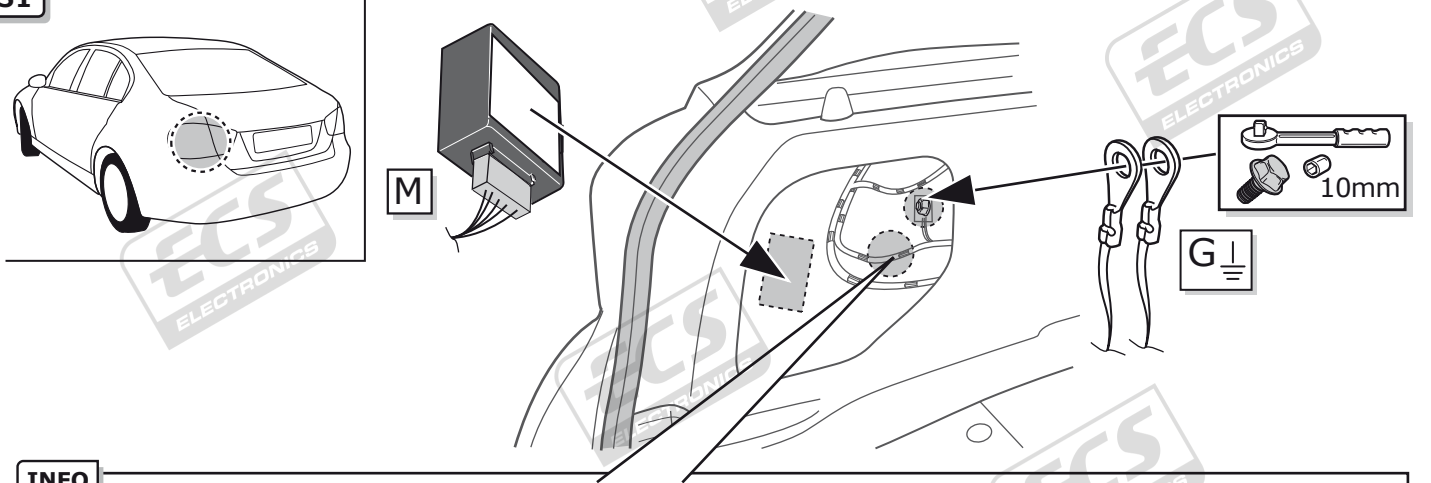
SOCKET CONNECTION



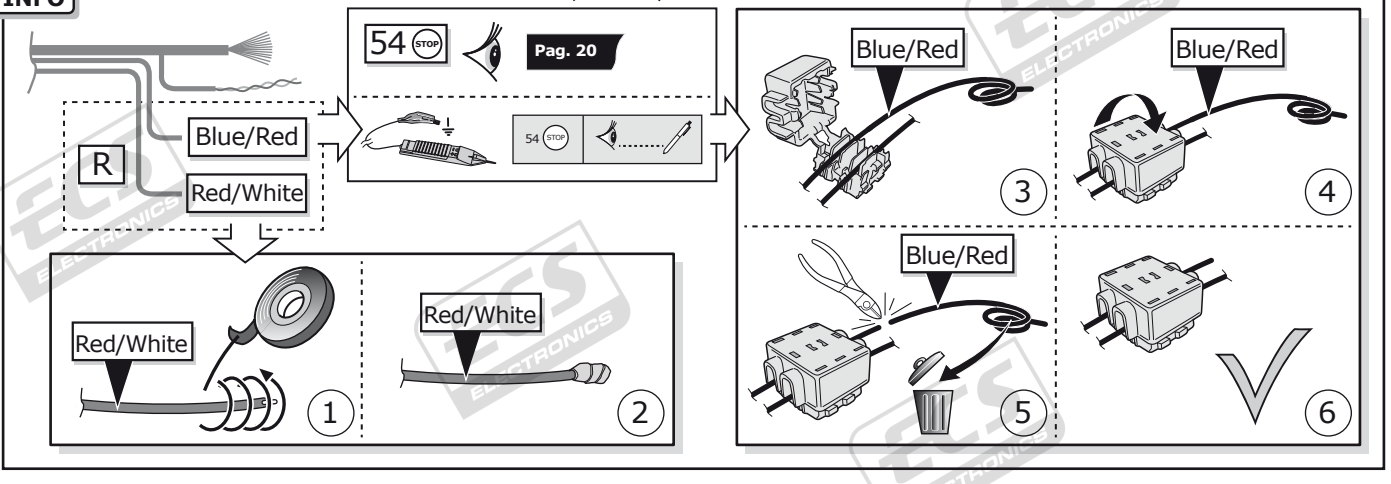
50



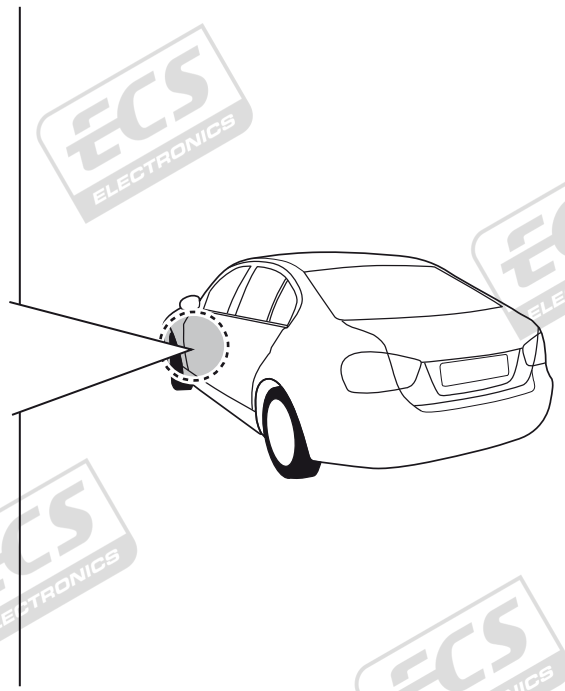
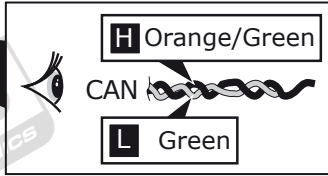
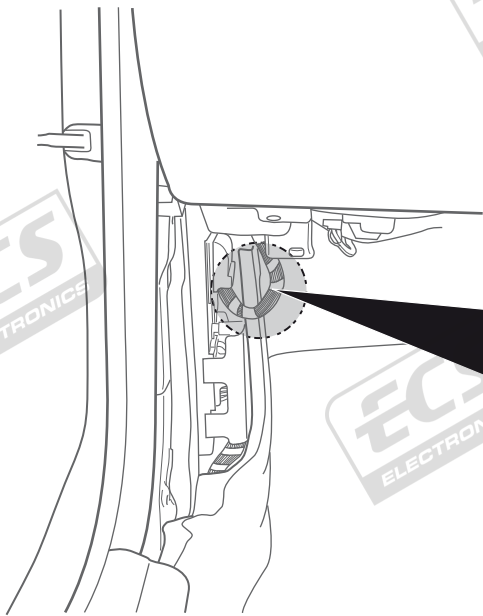
51



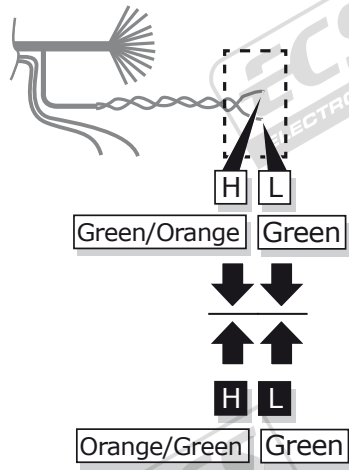
INFO



52

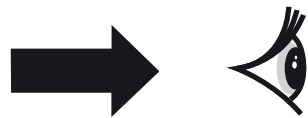


53



<p>H Green/Orange L Orange/Green</p>	<p>H Orange/Green L Green</p>	
<p>H Green/Orange L Green</p>	<p>H Orange/Green L Green</p>	
<p>INFO</p>		

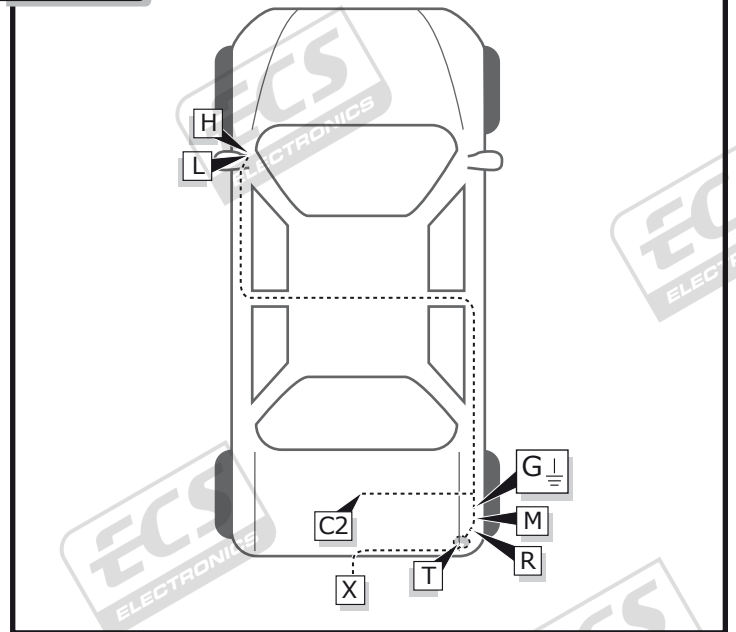
54



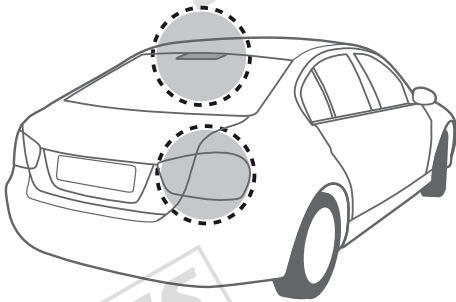
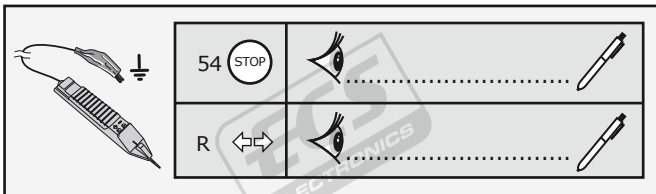
Pag. 26

BMW 3 Series F30, F31, F34

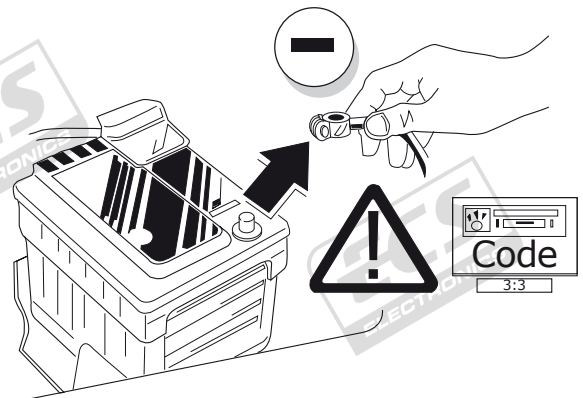
ROUTING



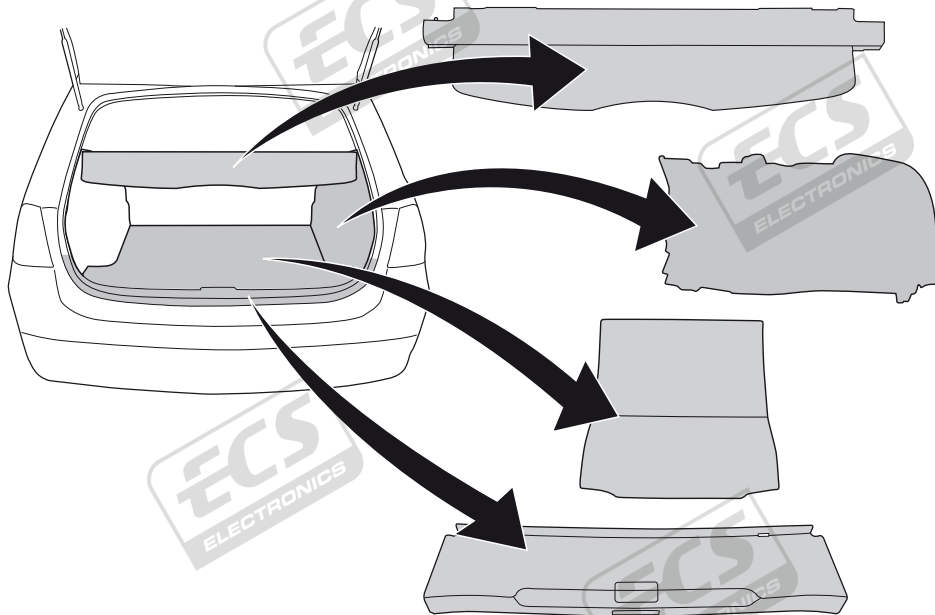
55



56



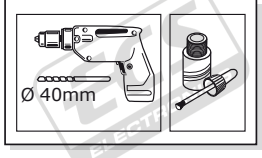
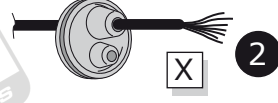
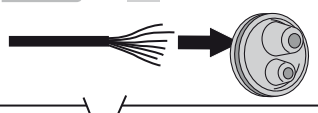
57



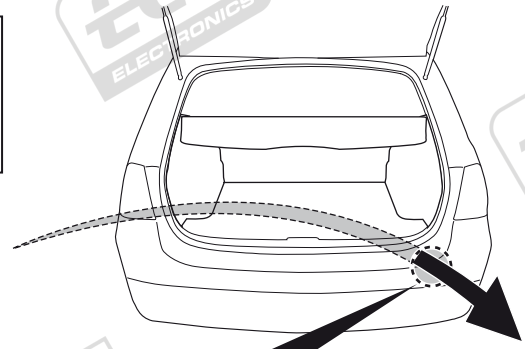
58

INFO

X



1



INFO

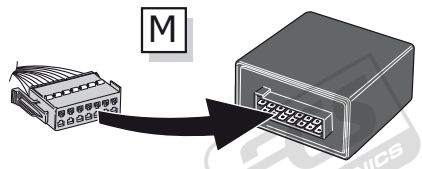
SOCKET CONNECTION



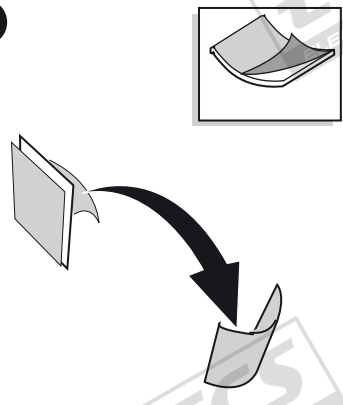
Pag. 28

59

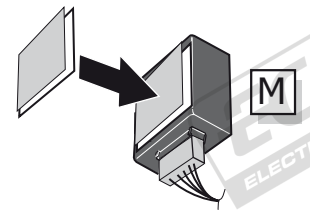
1



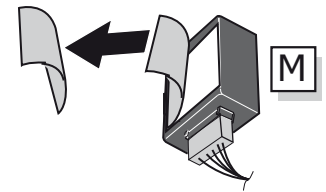
2



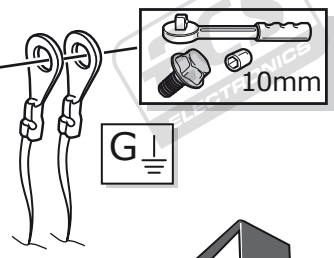
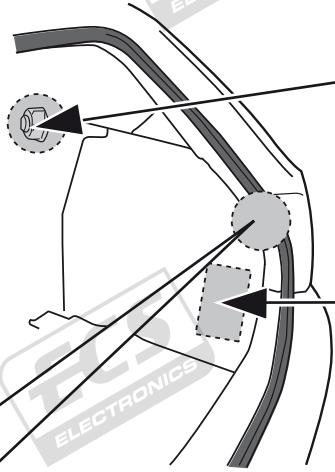
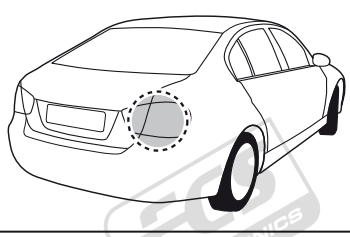
3



4

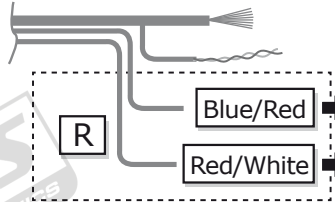


60



M

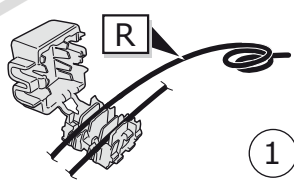
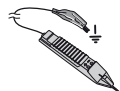
INFO



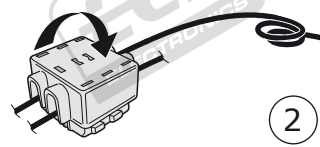
54 STOP



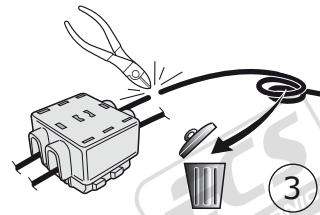
Pag. 23



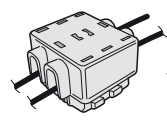
1



2

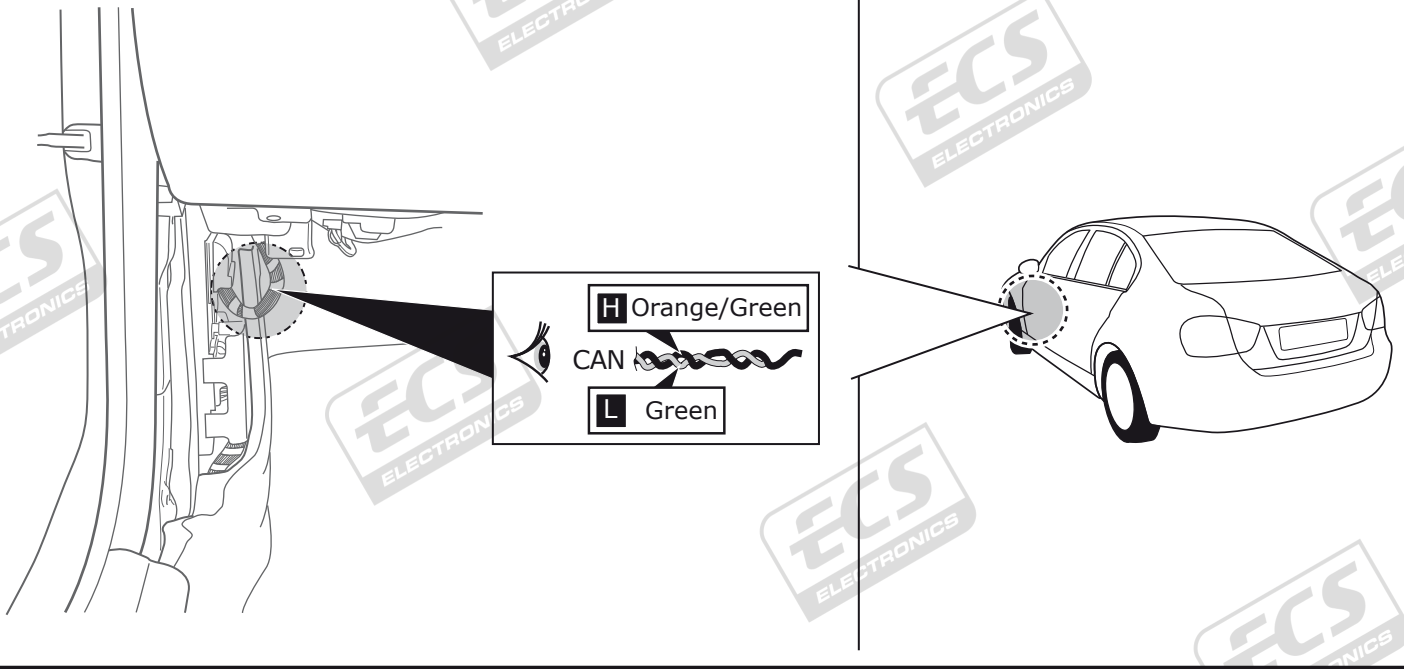


3

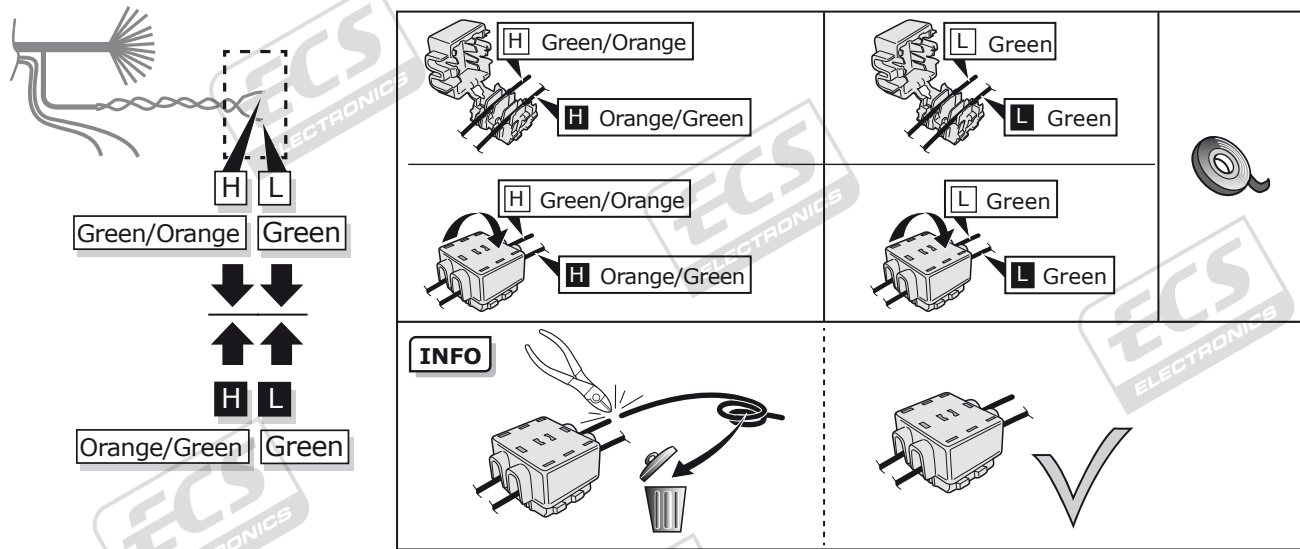


4

61



62

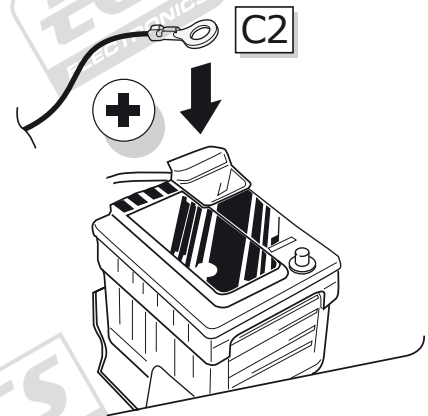
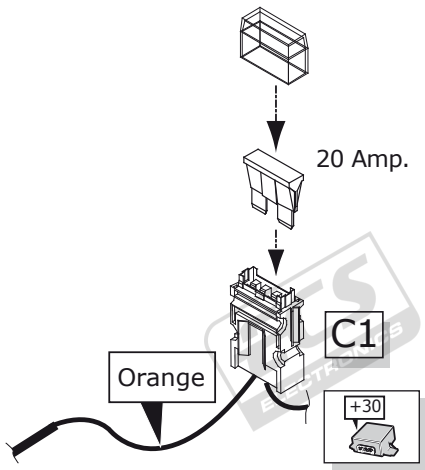


63

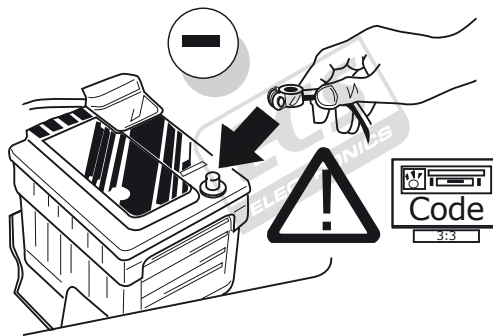


Pag. 26

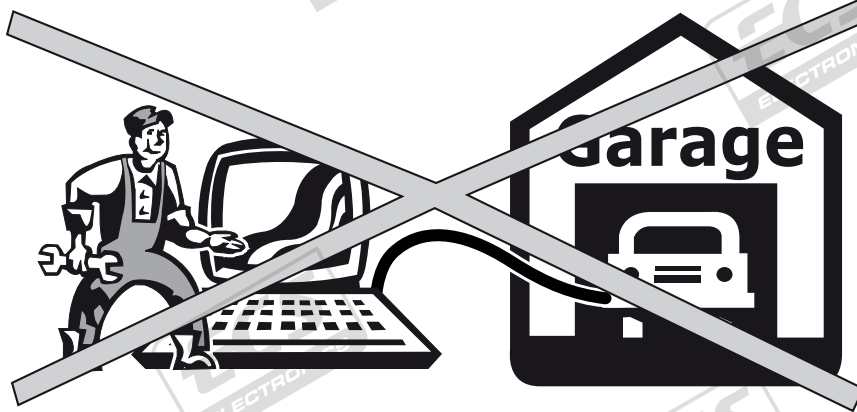
64



65



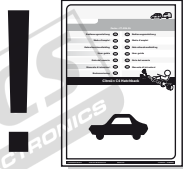
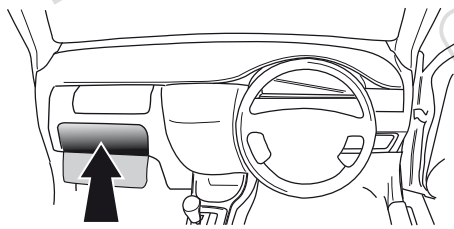
66



! TEST ALL THE CIRCUITS WITH A TEST DEVICE WITH THE CORRECT POWER LOAD FOR EACH FUNCTION. A TEST DEVICE WITH LED'S CANNOT BE USED FOR THIS PURPOSE.

INFO

REINSTALL TRIM.



User guide

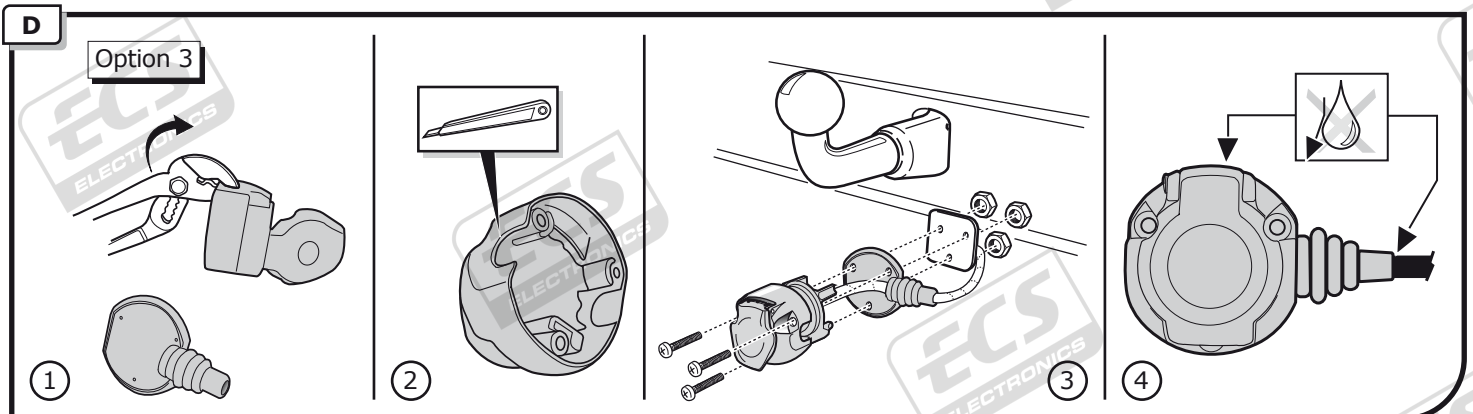
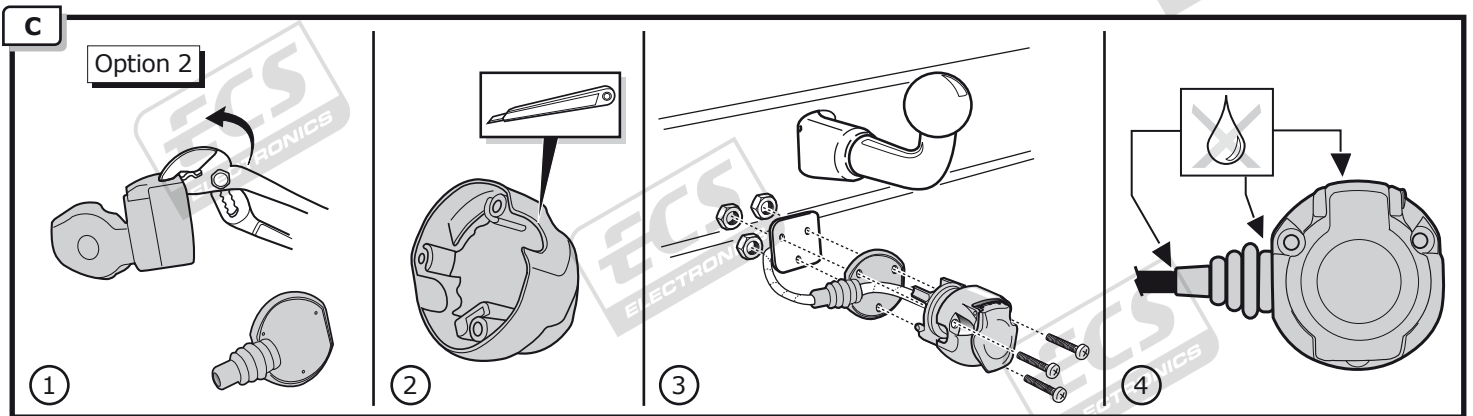
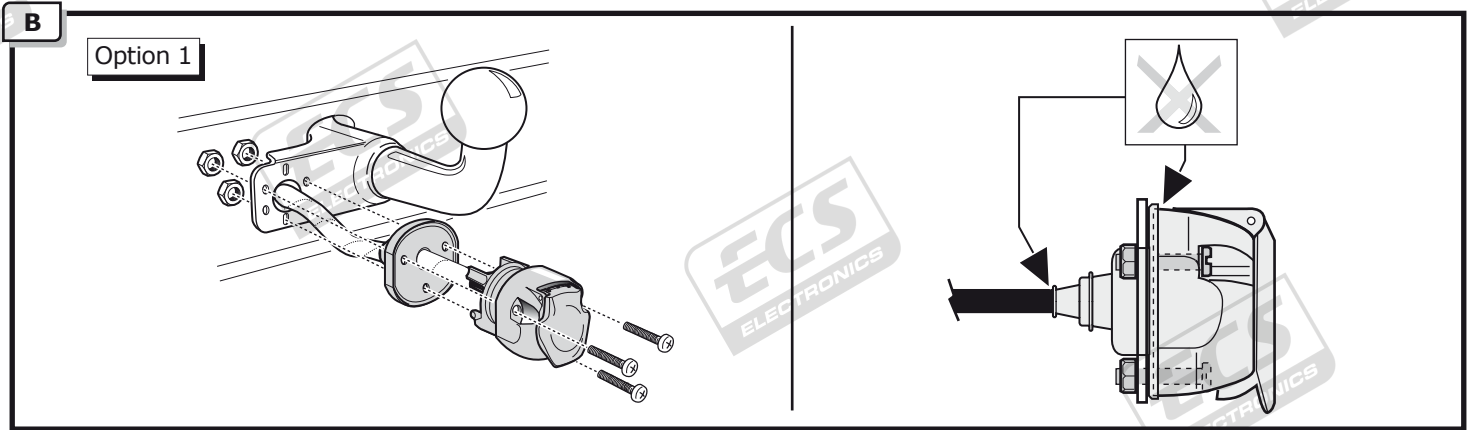
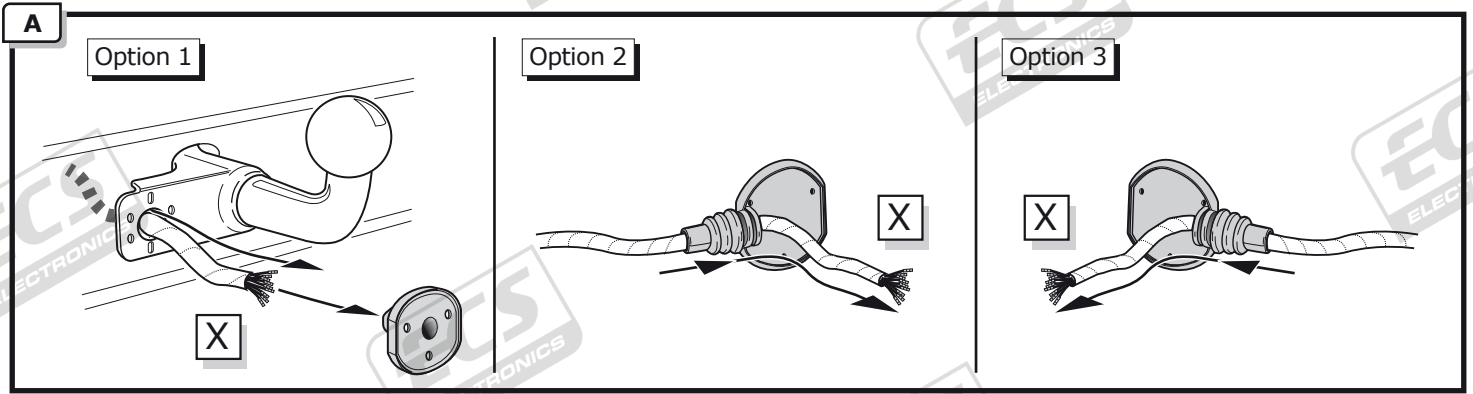


INFO

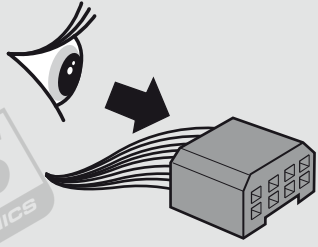
SOCKET CONNECTION

DIN/ISO 11446													
	1/L	2	3/31	4/R	5/58-R	6/54	7/58-L	8	9	10	11	12	13
Pmax	21W	21W		21W	42W	3x21W	42W	21W	180W/15Amp	180W/15Amp			
Colour	Yellow	Blue	White	Green	Brown	Red 1,00 mm ²	Black	Black/ Red	Brown/ White	Red 2,50 mm ²	White	-	White

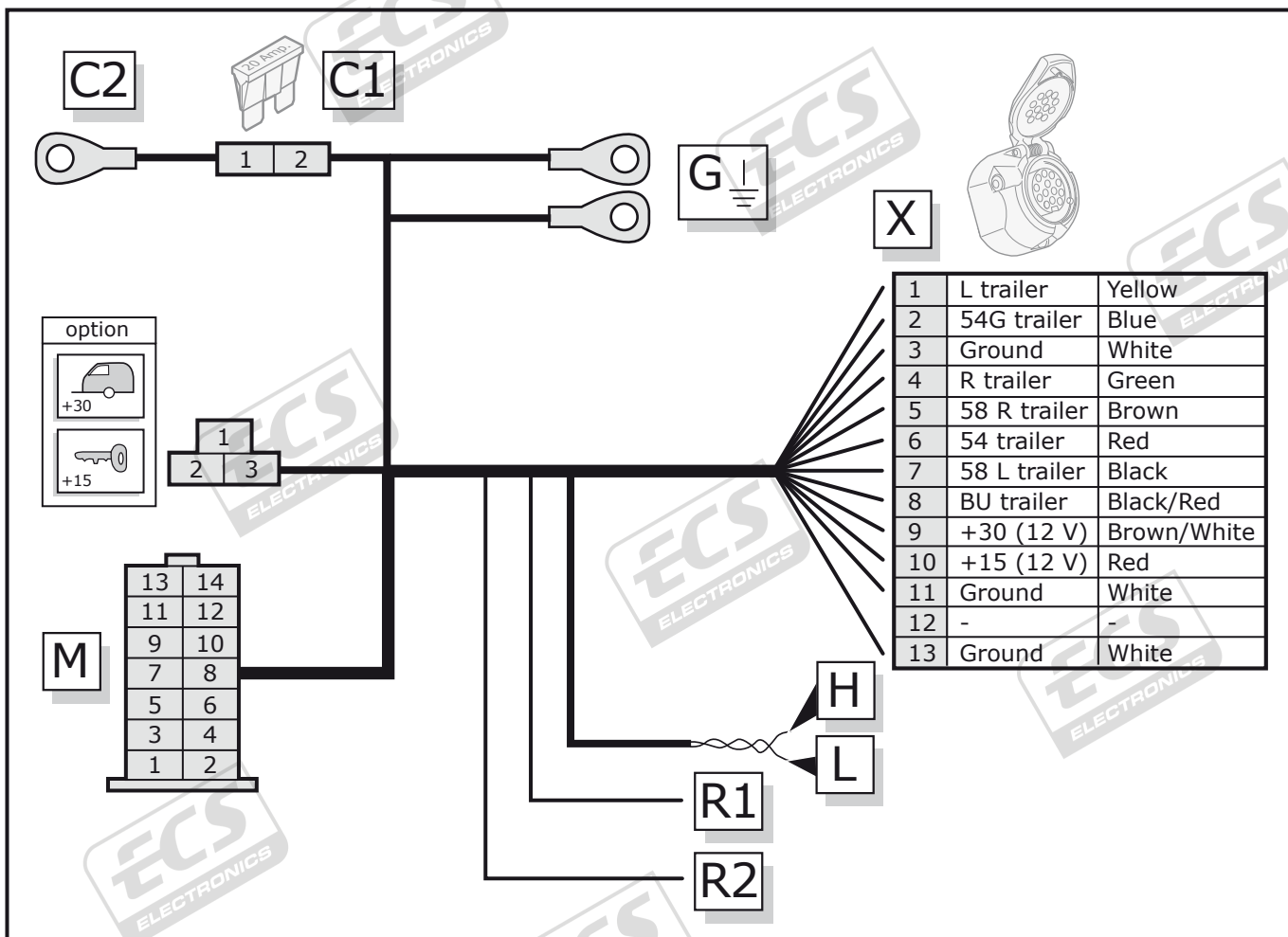
INFO SOCKET CONNECTION



INFO POWER SCHEDULE BW-008-D1U



L		54	
R		54G	
58L		BU	
58R		Ground/31	



1	L trailer	Yellow
2	54G trailer	Blue
3	Ground	White
4	R trailer	Green
5	58 R trailer	Brown
6	54 trailer	Red
7	58 L trailer	Black
8	BU trailer	Black/Red
9	+30 (12 V)	Brown/White
10	+15 (12 V)	Red
11	Ground	White
12	-	-
13	Ground	White

M	1	Red	54 trailer	out
	2	Orange	+30 (12 V)	in
	3	Red/White	R	in
	4	Yellow	L trailer	out
	5	Blue/Red	54	in
	6	Black	58 L trailer	out
	7	Green	CAN L	in
	8	White	Ground	-
	9	Green/Orange	CAN H	in
	10	Green	R trailer	out
	11	Blue	54G trailer	out
	12	Brown	58 R trailer	out
	13	Black/Red	BUT	out
	14	Orange	+30	in

OPTION	1	-	-	-
	2	Brown/White	+30 (12 V)	in
	3	Red	+15 (12 V)	in

H	Green/Orange	Can H	in

L	Green	Can L	in

R1	Blue/Red	54	in

R2	Red/White	R	in

C1	1	Red	+30 (12 V)	in
	2	Orange	+30 (12 V)	out

G	White	Ground	-