

# Installation Instructions

Part Numbers:

**75772**

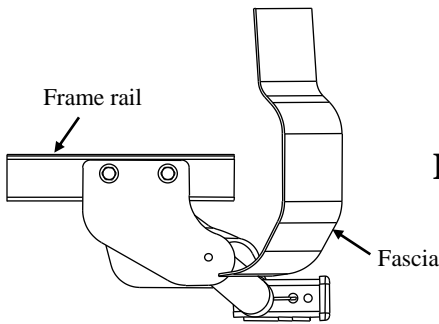
**44689**

**87634**

**Kia Sorento**

**Hyundai Santa Fe Sport (5 Passenger)**

**Do Not Exceed Lower of Towing Vehicle  
Manufacturer's Rating or**



## Hitch Shown In Proper Position

**Equipment Required:** #2 Phillips Screwdriver

**Fastener Kit:** 75772F

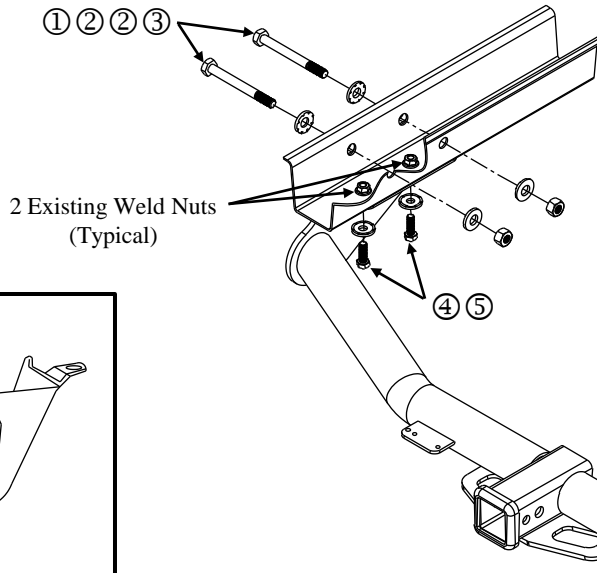
**Wrenches:** 17mm, 19mm

**Drill Bits:** None

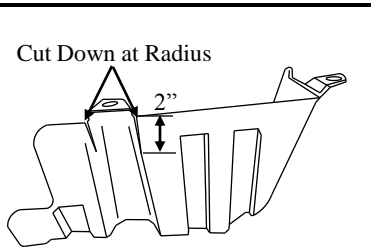
Hitch type	Max Gross Trailer WT (LB)	Max Tongue WT (LB)
Weight Distributing	<b>5250 Lb (2381 Kg)</b>	<b>525 Lb (238 Kg)</b>
Weight Carrying Ball Mount	<b>3500 Lb (1587 Kg)</b>	<b>525 Lb (238 Kg)</b>

**Wiring Access Location:** SUV1, SUV2

Accessory Rating **C**



**Figure 1**



**Figure 2**

①	Qty. (4)	M12 x 1.75 x 120 Bolt CL8.8	④	Qty. (4)	M10 x 1.25 x 30 Bolt CL10.9
②	Qty. (8)	1/2" Conical Washer	⑤	Qty. (4)	7/16" Conical Washer
③	Qty. (4)	M12 x 1.75 Nut CL10	⑥	Qty. (1)	Spacer Plate

1. Lower and remove spare tire from vehicle. The tire release is located underneath the storage compartment in the back of the vehicle.
2. Remove the driver side rear plastic cover, located underneath the vehicle, by using a #2 Phillips head screwdriver to remove fasteners, also remove (4) plastic push pins. Then remove the passenger side rear plastic cover, located underneath the vehicle, by removing fasteners, and (3) plastic push pins (Do not discard items).
3. Lower exhaust by removing the rear and side hangers.
4. Raise hitch into position and insert M12 bolts through the bracket and frame as shown in Figure 1. Note: The bumper locator pin may interfere with the hitch hardware. If necessary, use an angle grinder to trim the locator pin at the shoulder to allow proper hardware clearance.
5. Insert M10 bolts through bracket and into the frame as shown in Figure 1 (Hand tighten).
6. Torque M10 bolts first and then M12 bolts to the specifications below.
7. Reinstall exhaust hangers into mounts.
8. Trim rear plastic covers as shown in Figure 2, then raise into position, reinstall the fasteners and push pins that were removed in Step 2.

**CONSULT WITH VEHICLE OWNER BEFORE CUTTING REAR PLASTIC COVERS**

9. Reinstall spare tire and make sure it is seated properly.

**Tighten all M10 CL10.9 fasteners with torque wrench to 40 Lb.-Ft. (54 N\*M)    Tighten all M12 CL8.8 fasteners with torque wrench to 72 Lb.-Ft. (98 N\*M)**

Note: check hitch frequently, making sure all fasteners and ball are properly tightened. If hitch is removed, plug all holes in trunk pan or other body panels to prevent entry of water and exhaust fumes. A hitch or ball which has been damaged should be removed and replaced. Observe safety precautions when working beneath a vehicle and wear eye protection. Do not cut access or attachment holes with a torch.