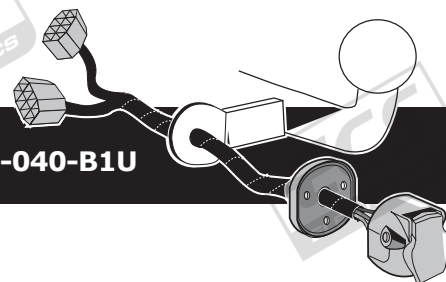




Only for Audi's with towbar preparation

**Audi Q3 2012 --> 2014**  
**Audi Q3 2015 -->**

**Partnr.: AU-040-B1U**



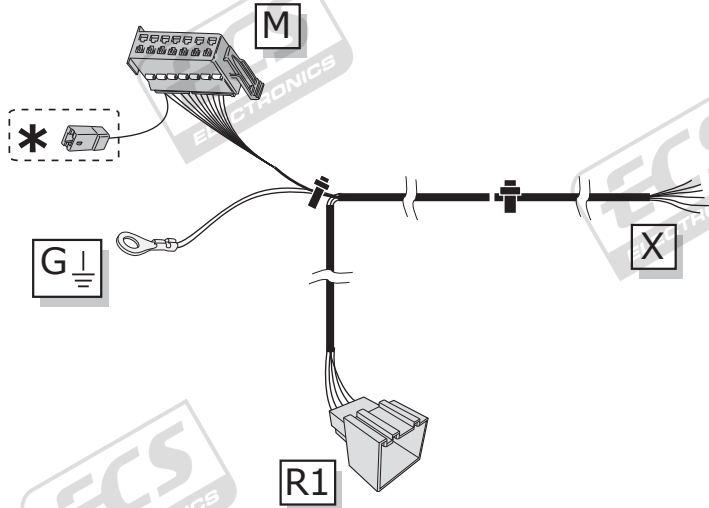
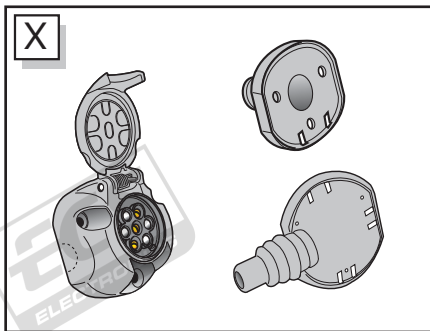
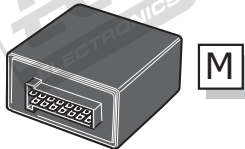
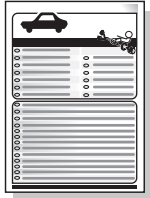
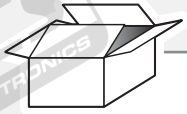
- Fitting instructions electric wiring kit tow bar with 12-N socket up to DIN/ISO Norm 1724.
- We would expressly point out that assembly not carried out properly by a competent installer will result in cancellation of any right to damage compensation, in particular those arising by virtue of the product liability act.
- Contents of these kits and their fitting manuals are subject to alteration without notice, please ensure that these instructions are read and fully understood before commencing installation.
- Do not overload circuits; the maximum loads per connection are detailed in this manual.
- Attention! Before Installation, please read this manual carefully and inform your customer to consult the vehicle owners manual to check for any vehicle modifications required before towing.
- In the event of functional problems, troubleshooting must be limited to about 0.5 hours, contact the technical support:  
[ukts@ecs-electronics.com](mailto:ukts@ecs-electronics.com) / 07440 202 052.

**TECHNICAL SUPPORT**

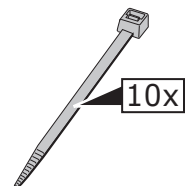
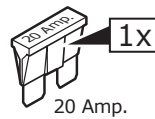
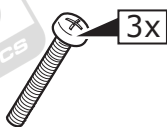
**CALL**  
**07440**  
**202**  
**052**

**ECS ELECTRONICS** MONDAY TO FRIDAY  
08.00 - 11.00 am  
12.00 - 05.00 pm  
[ukts@ecs-electronics.com](mailto:ukts@ecs-electronics.com)  
[www.ecs-electronicsuk.co.uk](http://www.ecs-electronicsuk.co.uk)

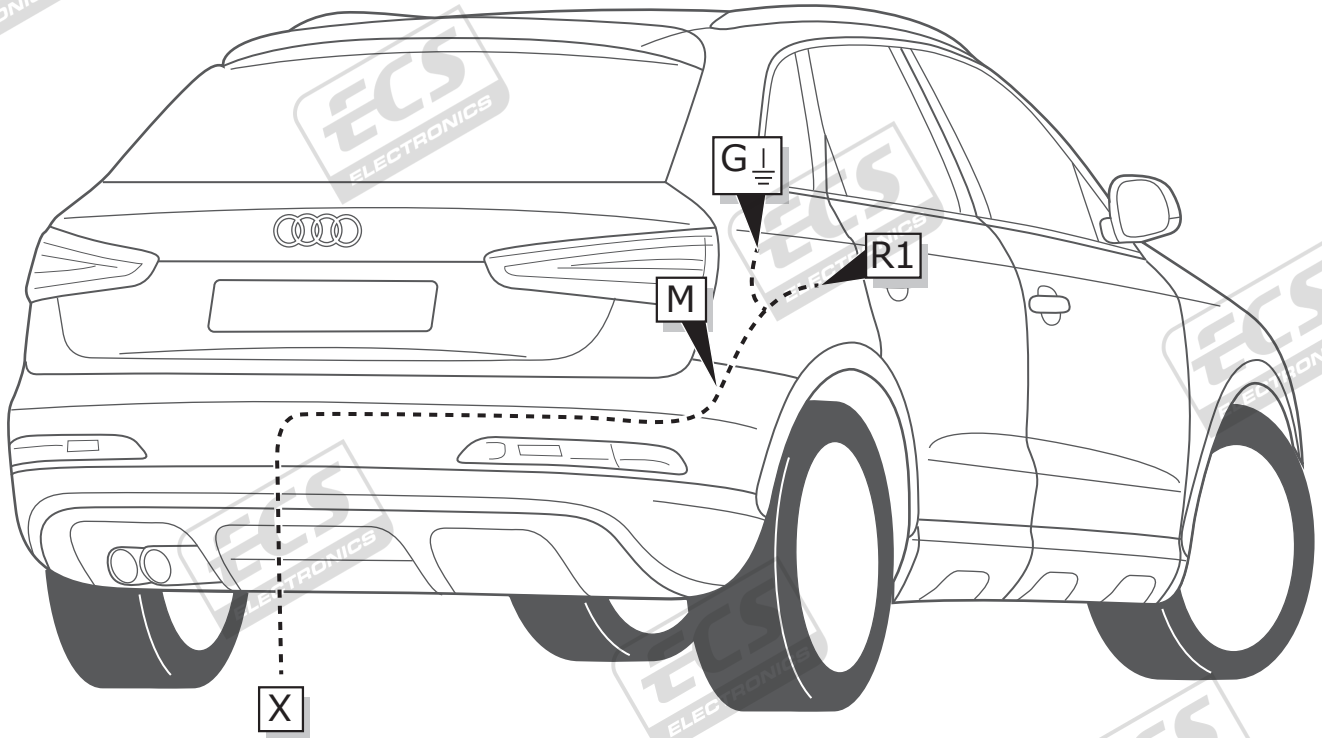
# Part list



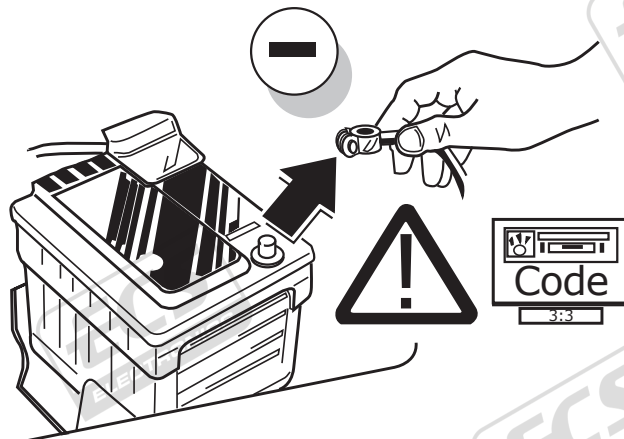
\* Reverse signal preparation  
 → **Pag. 10**



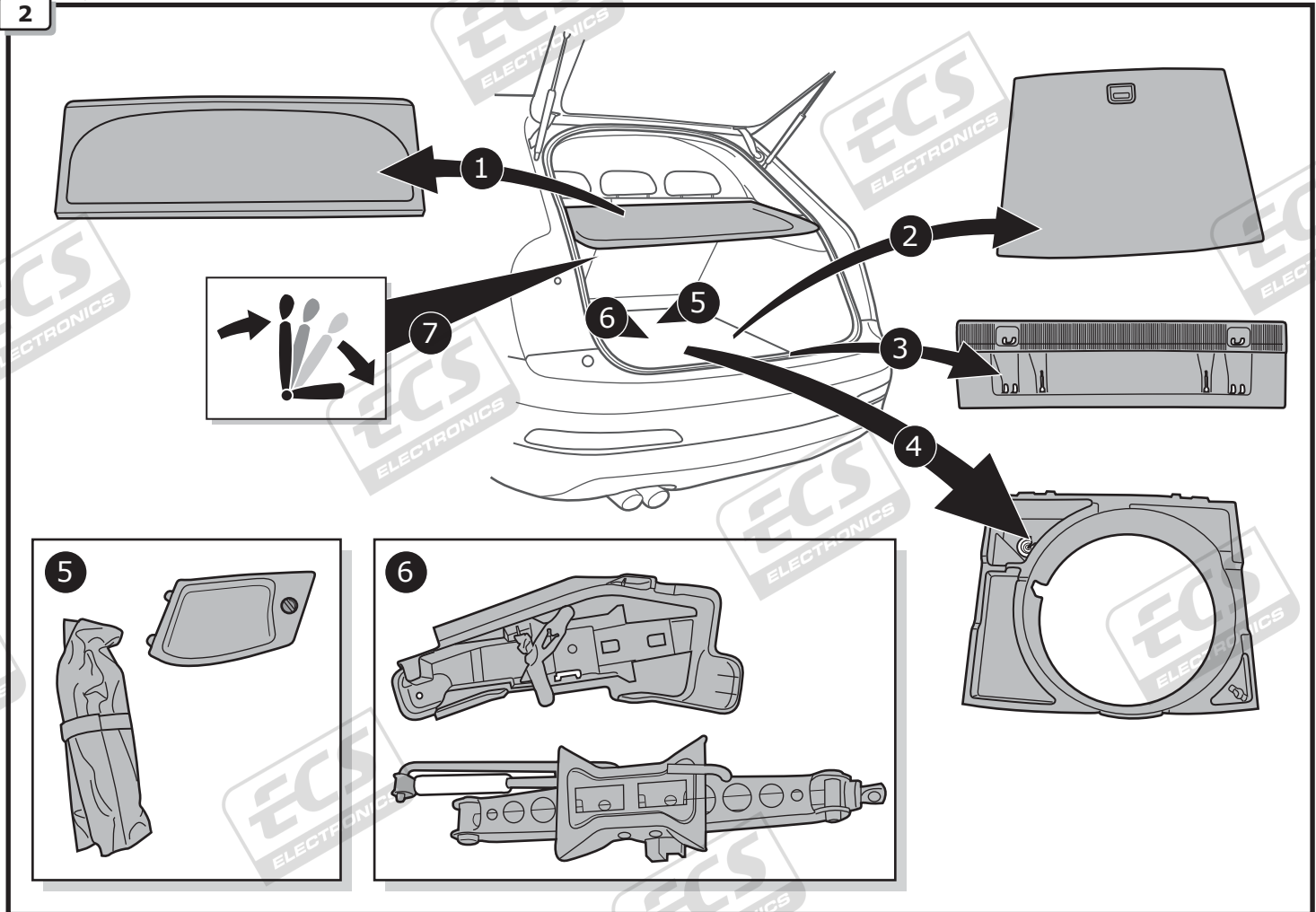
**ROUTING**



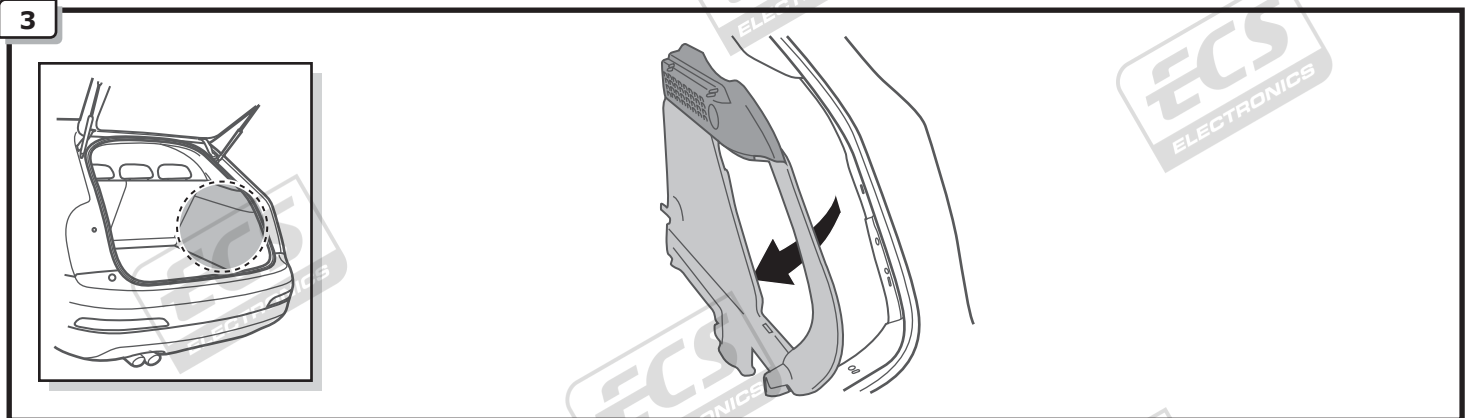
**1**



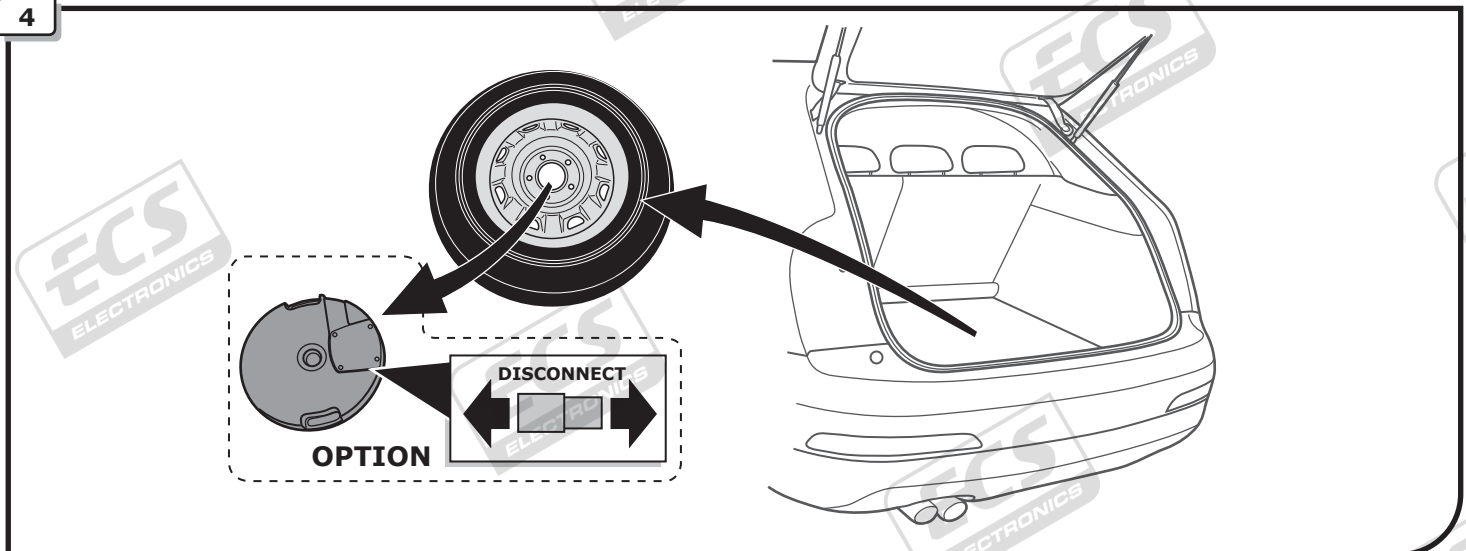
2



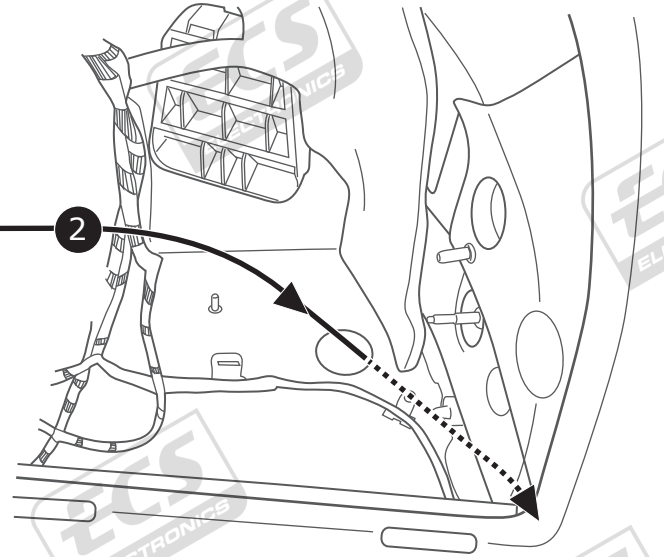
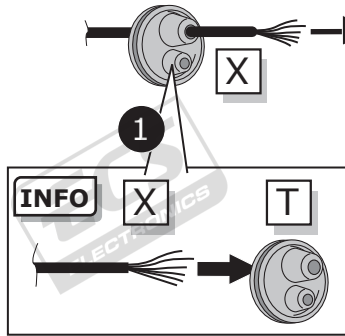
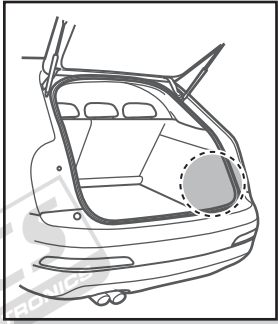
3



4

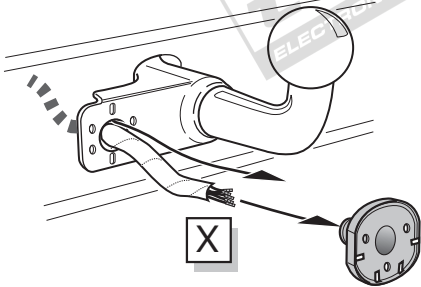


5

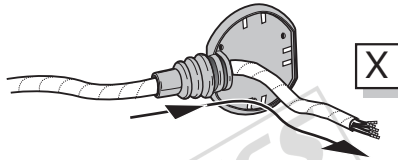


A

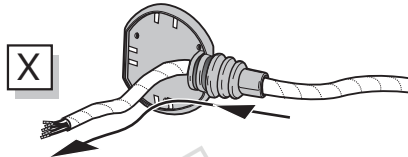
Option 1



Option 2



Option 3



INFO

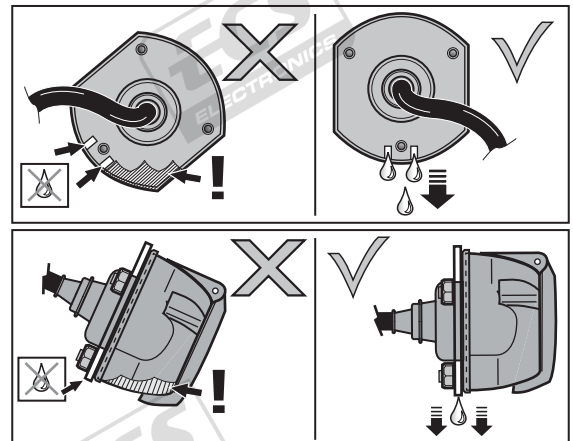
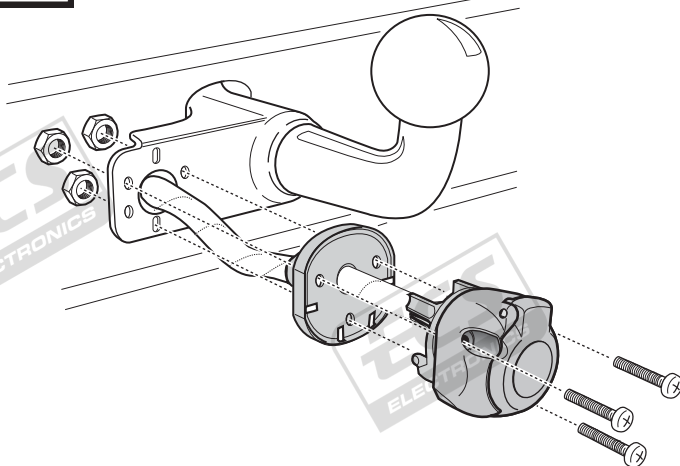
SOCKET CONNECTION

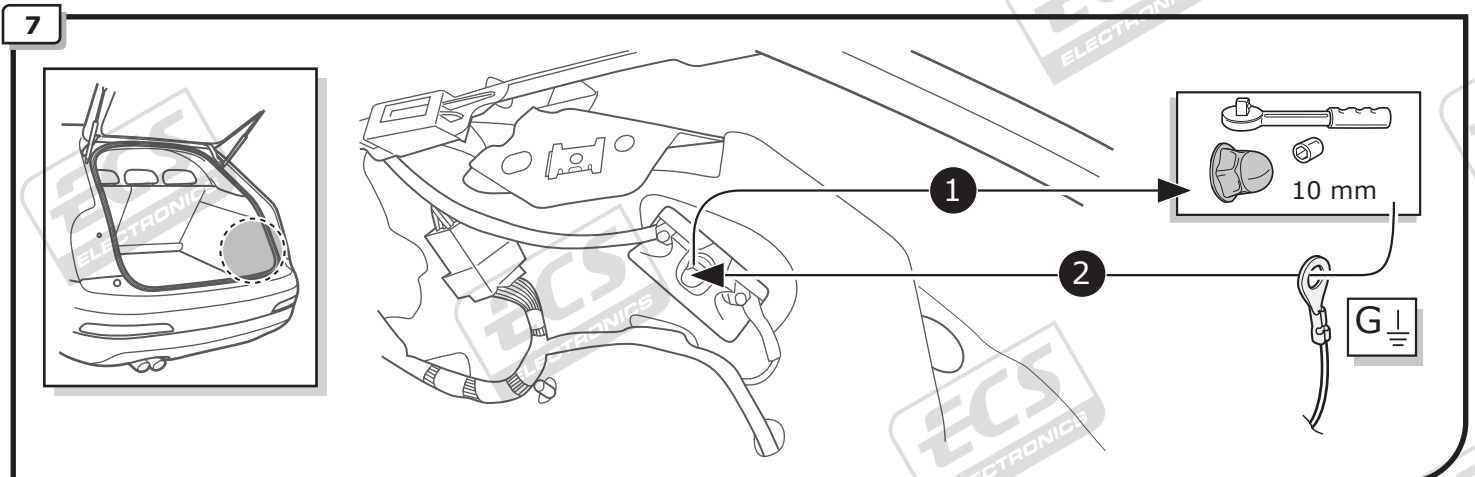
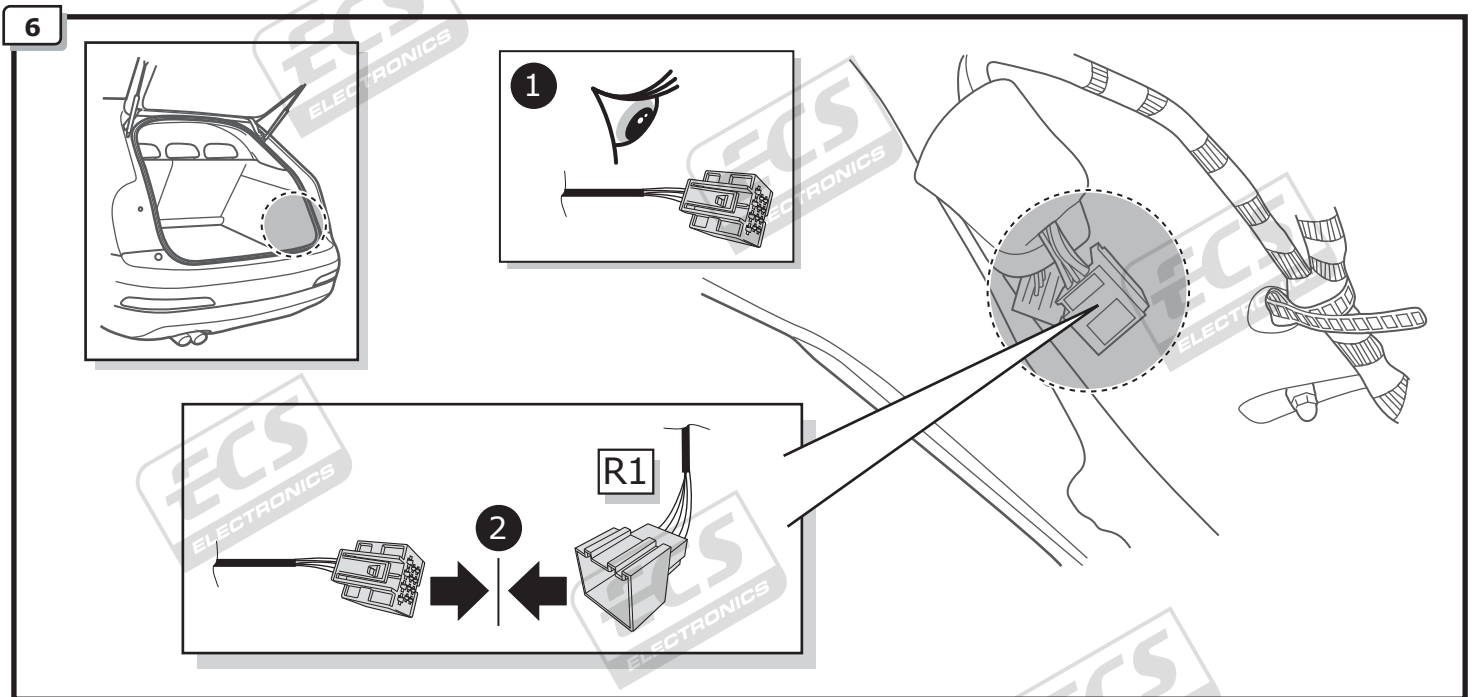
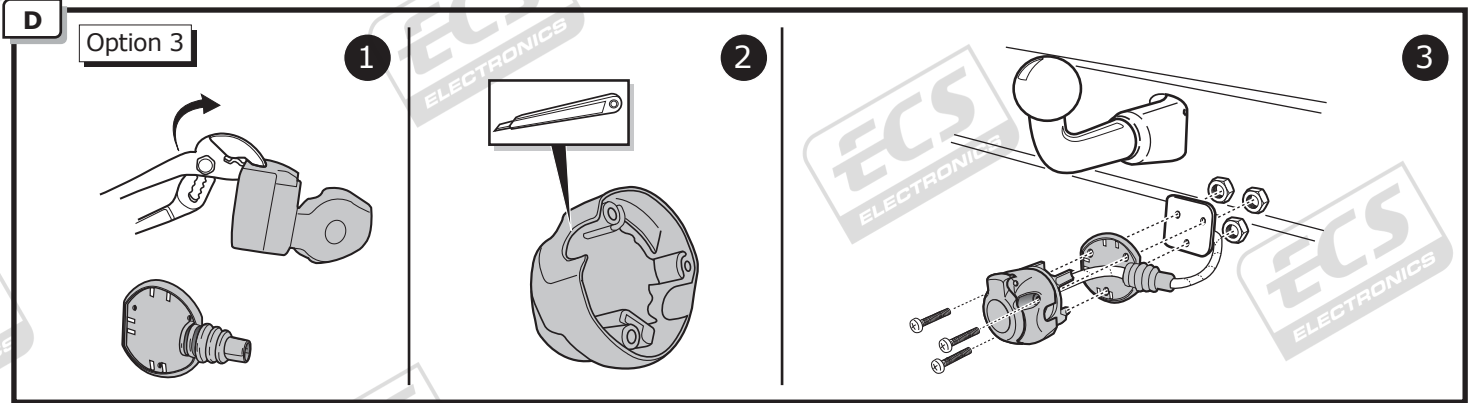
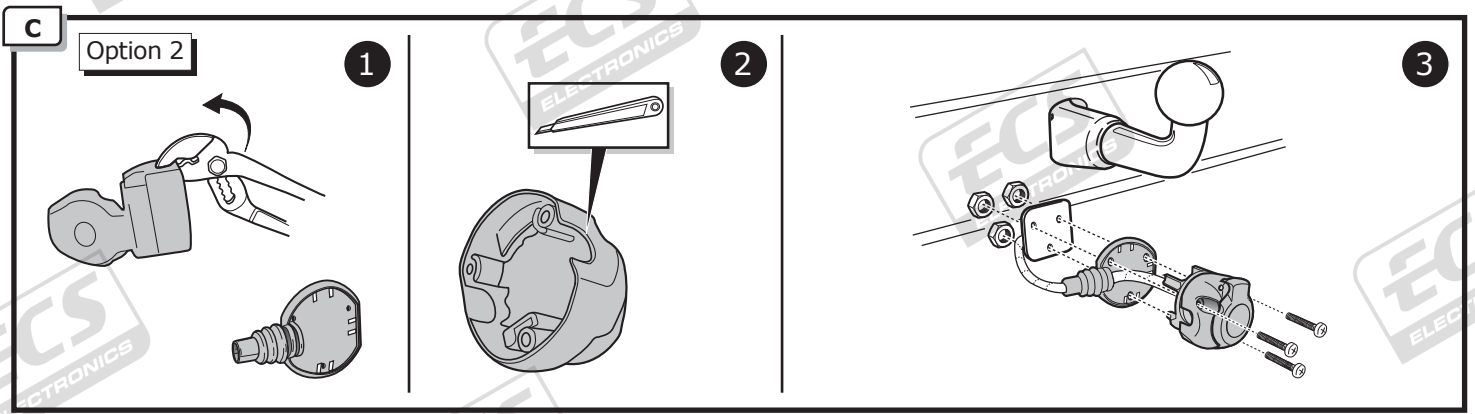


Pag. 10

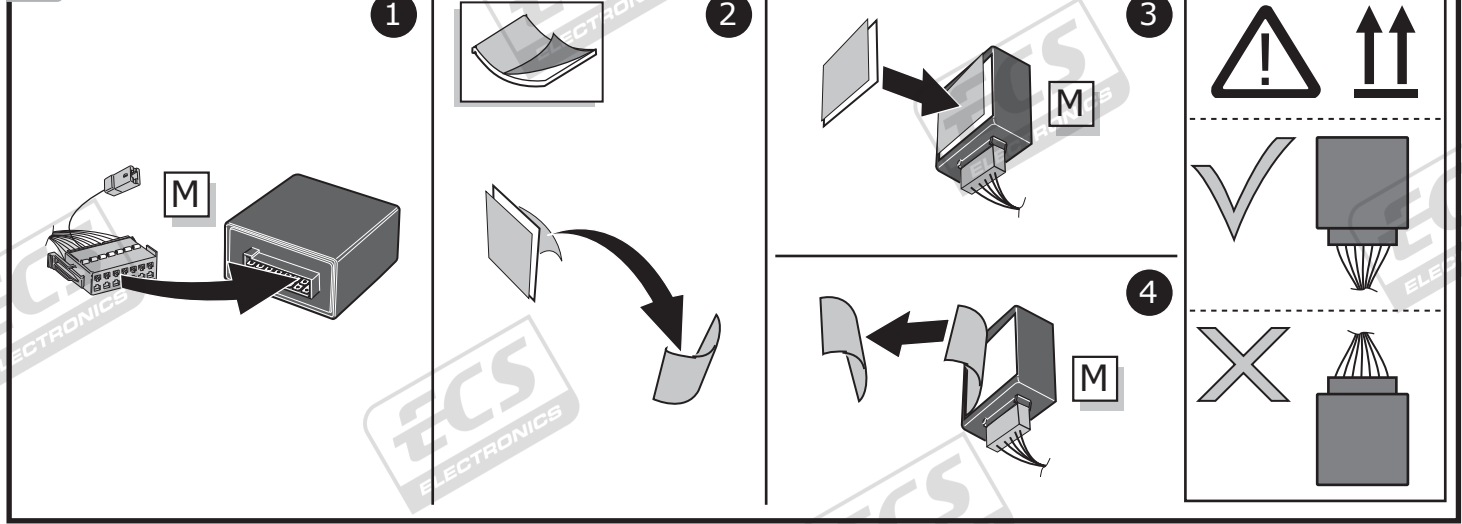
B

Option 1

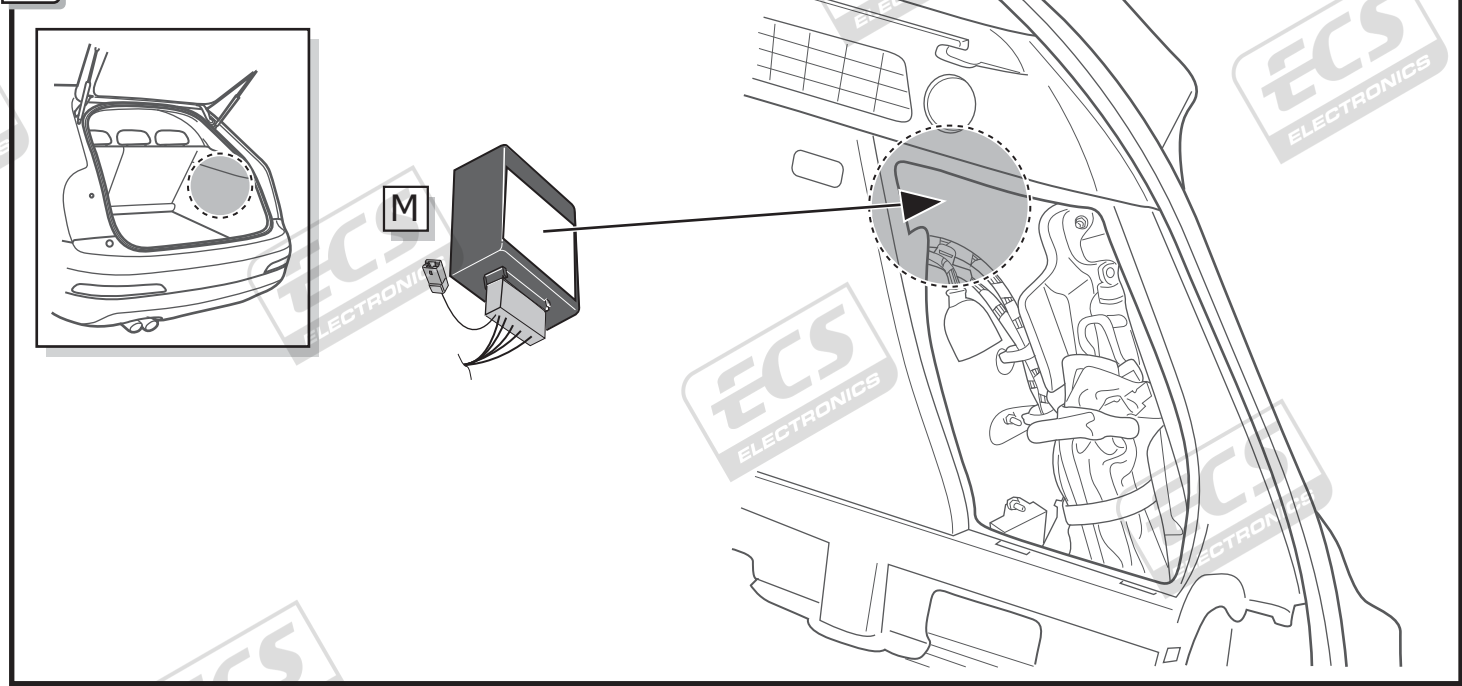




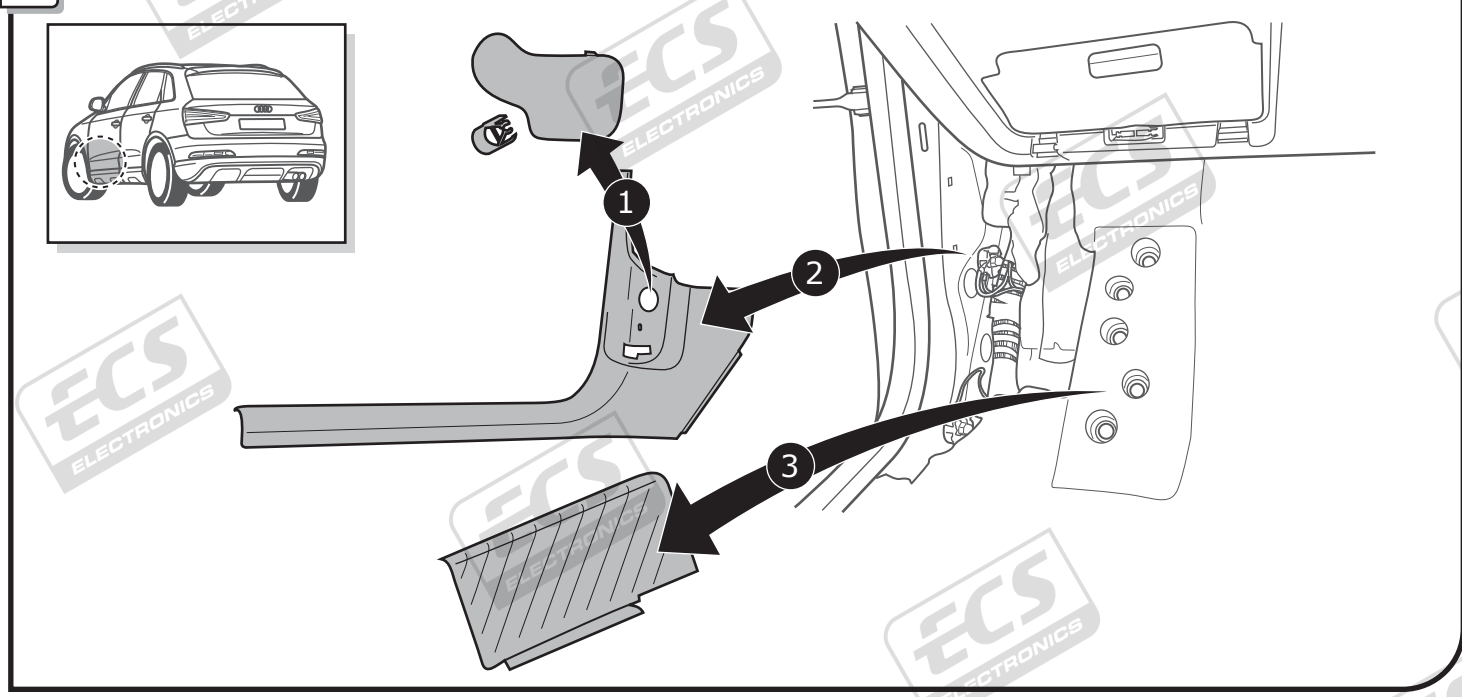
8



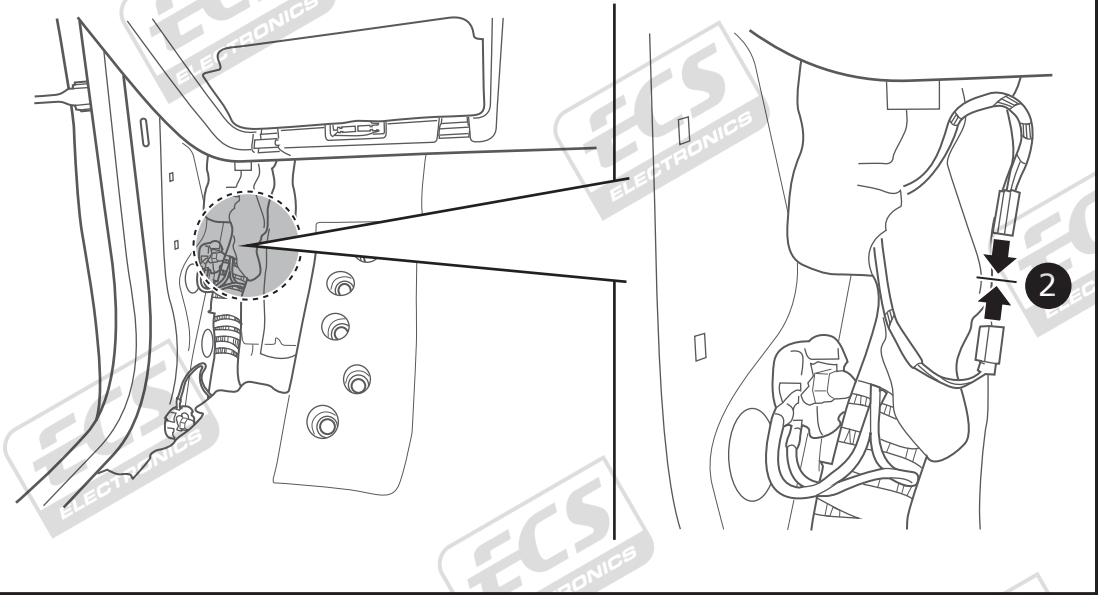
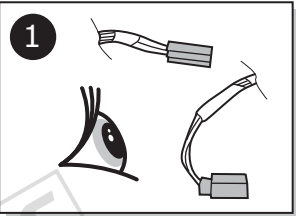
9



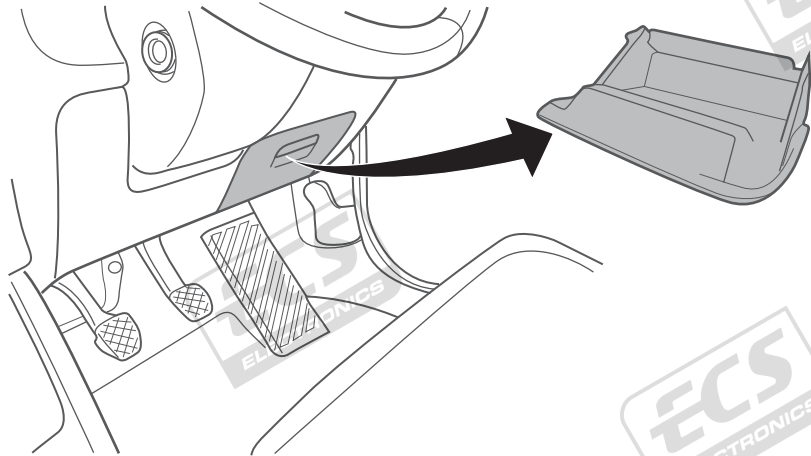
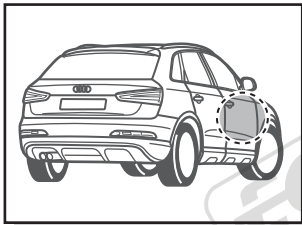
10



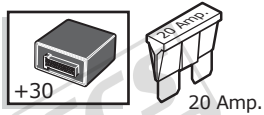
11



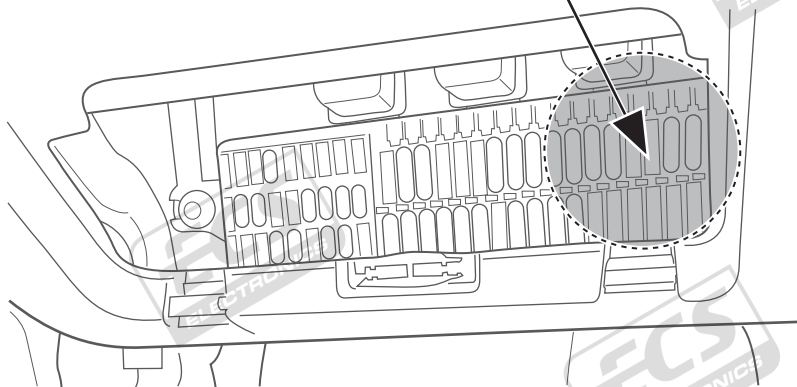
12



13

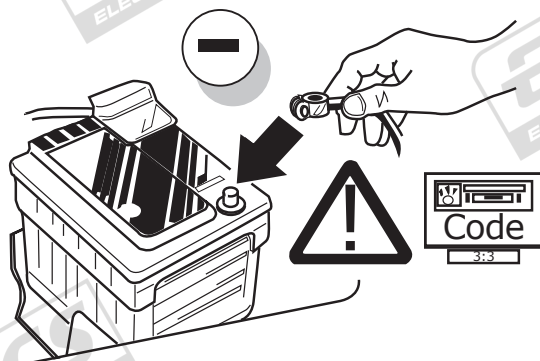


PIN 41





14



INFO

With a VAG Service tester with the help of SVM code '050200' the software of the vehicle must be adjusted to trailer coupling converted D12.

15

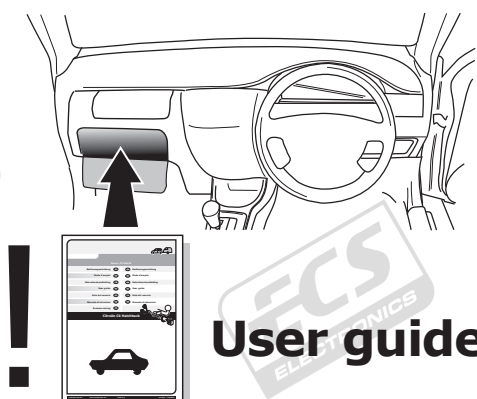


TEST ALL THE CIRCUITS WITH A TEST DEVICE WITH THE CORRECT POWER LOAD FOR EACH FUNCTION. A TEST DEVICE WITH LED'S CANNOT BE USED FOR THIS PURPOSE.

INFO

REINSTALL TRIM.

16



**User guide**

**TECHNICAL SUPPORT**

**CALL 07440 202 052**

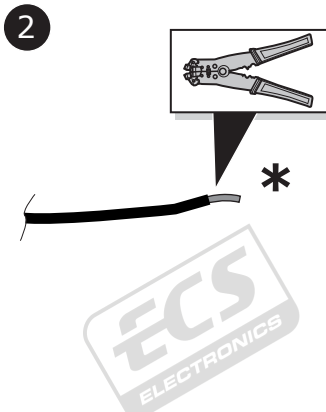
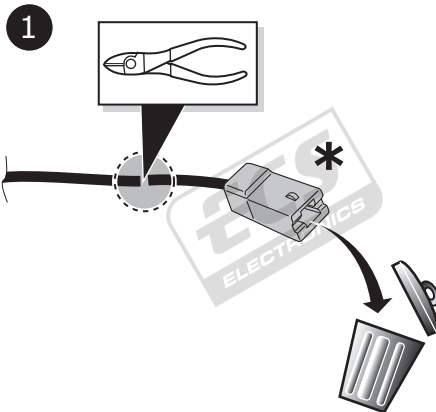
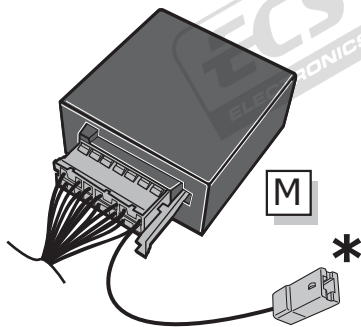
**ECS ELECTRONICS** MONDAY TO FRIDAY  
08.00 - 11.00 am  
12.00 - 05.00 pm  
ukts@ecs-electronics.com  
www.ecs-electronicsuk.co.uk

SOCKET CONNECTION

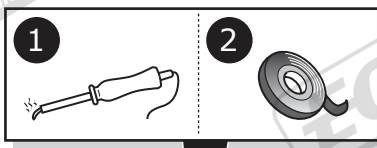
DIN/ISO 1724							
	1/L	2	3/31	4/R	5/58-R	6/54	7/58-L
Pmax	21W	21W		21W	42W	3x21W	42W
Colour	Black/White	Blue	Brown	Black/Green	Grey/Red	Black/Red	Grey/Black

Reverse signal preparation

A



B



⚠ MAX = 21W

