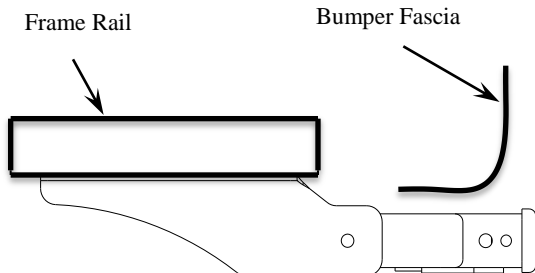


Installation Instructions

Part Numbers:

75904

Toyota Prado



**Do Not Exceed Lower of Towing Vehicle
Manufacturer's Rating or**

Hitch type	Max Gross Trailer WT (LB)	Max Tongue WT (LB)
Weight Distributing	5500 (2500 Kg)	825 (375 Kg)
Weight Carrying Ball Mount	5500 (2500 Kg)	825 (375 Kg)

Wiring Access Location: SUV3

Hitch Shown In Proper Position

Equipment Required:

Fastener Kit: 75904F

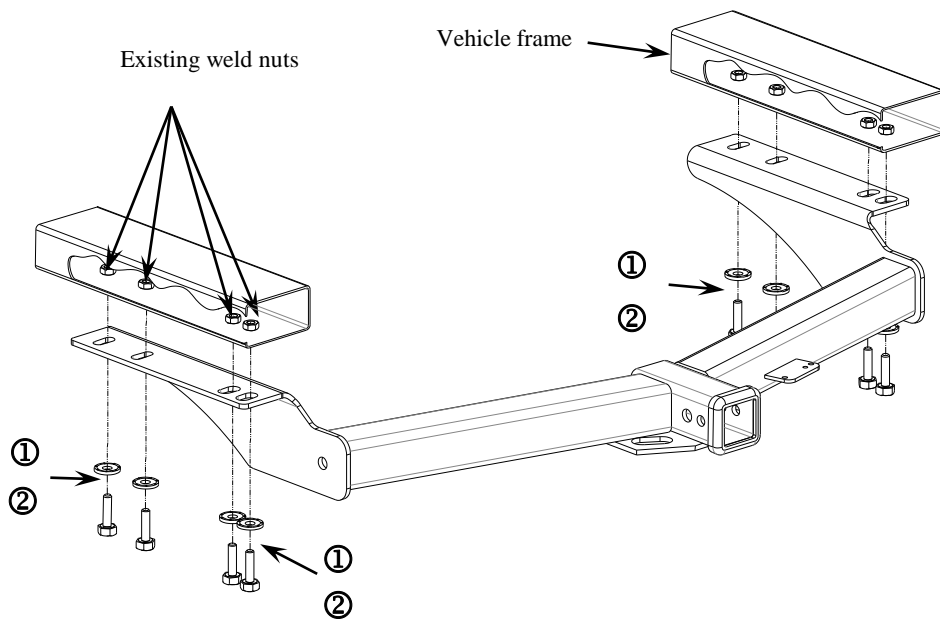
Wrenches: 17mm, 19mm



Figure 1



Figure 2



Note: All Fasteners Typical Both Sides of Vehicle

①	Qty. (8)	Hex Bolt, M12 x 1.25 x 40mm CL 10.9	②	Qty. (8)	Conical Toothed Washer, 1/2"
----------	----------	-------------------------------------	----------	----------	------------------------------

1. Before installing the hitch, uninstall the hook (Fig. 1) by removing two bolts (Fig. 2) with a 17mm wrench. The hook is located on driver-side frame rail only. Return the hook to vehicle owner.
2. Raise hitch into position. Use supplied bolts and conical washers from the fastener kit to install the hitch. The bolts will go through the slots on brackets into existing weld nuts.
3. Torque all fasteners to correct torque specifications shown below.

Cequent

