

INSTALLATION INSTRUCTIONS

VEHICLE

VOLVO XC90

EQUIPMENT REQUIRED:

WIRING ACCESS LOCATION: SUV1, SUV2

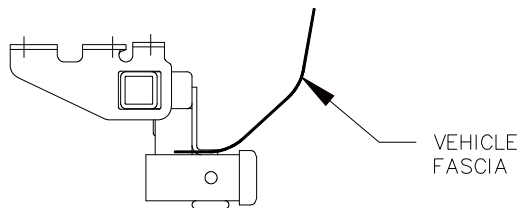
DRILL BITS: NONE

HITCH REQUIRES 5/8" PIN AND CLIP

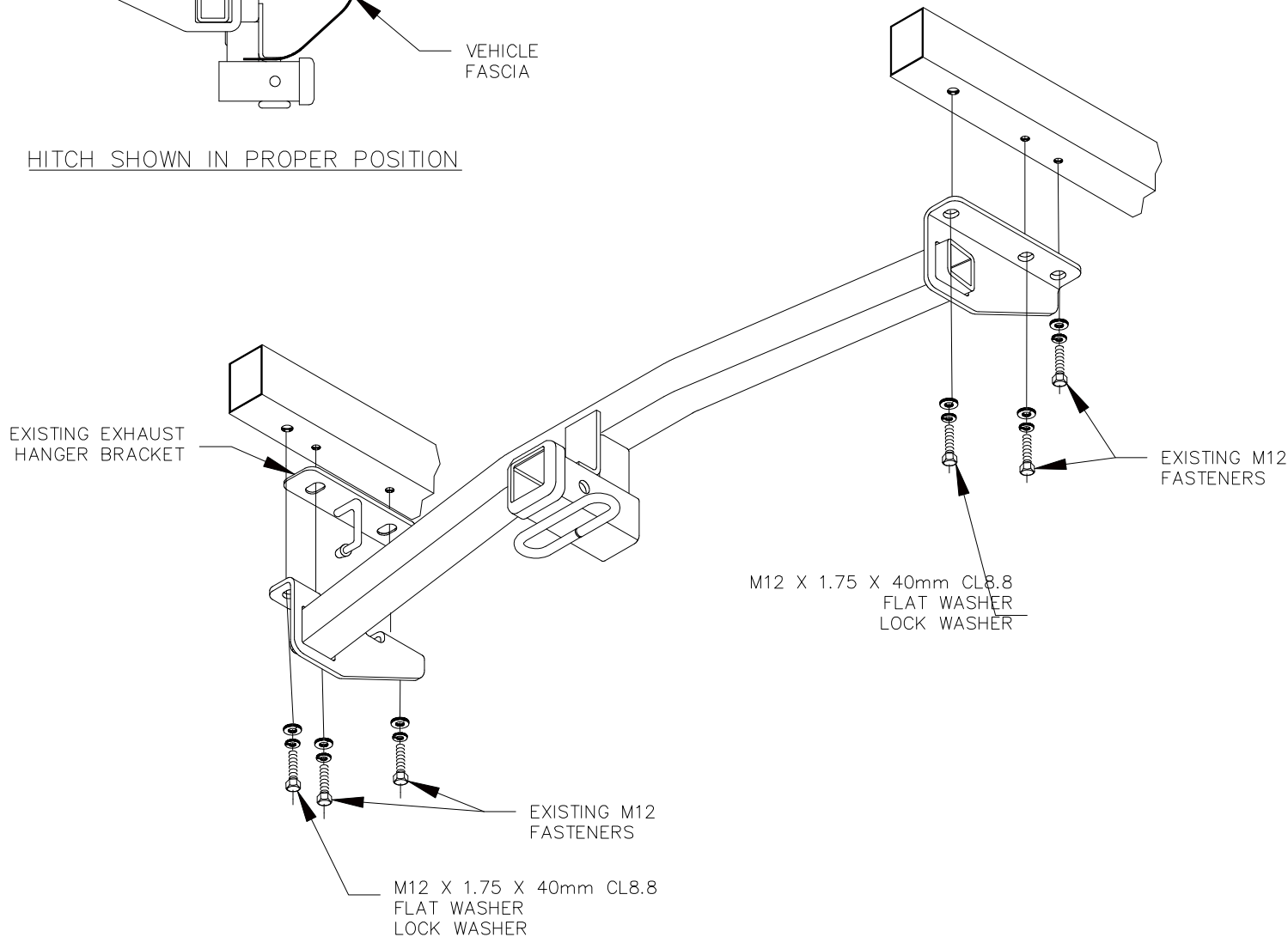
WRENCHES: (TIGHTEN ALL FASTENERS WITH TORQUE WRENCH) 17mm, 18mm

DO NOT EXCEED LOWER OF
TOWING VEHICLE MFR'S RATINGS OR

HITCH TYPE ▼	MAX GROSS TRLR WT(LB)	MAX TONGUE WT(LB)
WEIGHT DISTRIBUTING	5000	500
WEIGHT CARRYING BALL MOUNT	5000	500



HITCH SHOWN IN PROPER POSITION



1. LOWER SPARE TIRE
2. REMOVE EXISTING TOW BRACKET ON PASSENGER SIDE AND RETURN TO VEHICLE OWNER.
3. LOWER EXHAUST BY REMOVING 2 BOLTS WHICH SECURE EXHAUST HANGER BRACKET TO DRIVER SIDE FRAME.
4. RAISE HITCH INTO POSITION, SANDWICHING EXHAUST HANGER BRACKET BETWEEN HITCH SIDE BRACKET AND DRIVER SIDE FRAME RAIL.
5. INSTALL FASTENERS AS SHOWN.
TIGHTEN ALL M12 CL8.8 FASTENERS TO 64 LB-FT.
6. RAISE SPARE TIRE BACK INTO POSITION.

APPROX WEIGHT (LB.)	29
---------------------	----

NOTE: Check hitch frequently, making sure all fasteners and ball are properly tightened. If hitch is removed, plug all holes in trunk pan or other body panels to prevent entry of water and exhaust fumes. A hitch or ball which has been damaged should be removed and replaced. Observe safety precautions when working beneath a vehicle and wear eye protection. Follow car maker's specs for maximum trailer weight and tongue weight. Do not cut access or attachment holes with a torch.